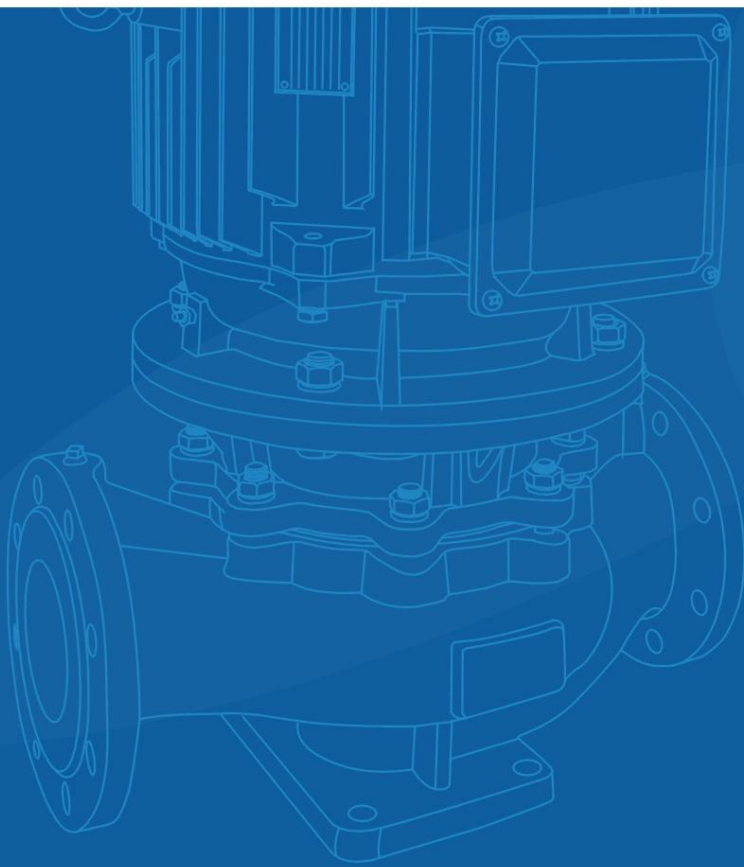




ISG/IRG/IHG/GRG
立式管道离心泵系列
Vertical Pipeline Centrifugal Pump Series



SEAPUMP

上海海洋泵阀制造有限公司
SHANGHAI SEA PUMP & VALVE MFG CO.,LTD



ISG型立式管道离心泵
IRG type vertical hot water pipeline centrifugal pump



IRG型立式热水管道离心泵
ISG type vertical pipeline centrifugal pump



IHG型不锈钢立式管道离心泵
IHG type stainless steel vertical pipeline centrifugal pump



YG型立式管道油泵
YG type vertical pipeline pump

产品概述 Product overview

ISG、IRG、GRG、IHG、YG、IHGB系列单级单吸立式离心泵，系根据IS型、IR型离心泵之性能参数，参照ISO2858标准，采用国内优秀水力模型进行优化设计而成。该系列泵不但具有高效节能、可靠性好、振动小、噪音低等优点，还具有外形美观、安装维修方便和减少泵站土建造价（或无需泵站）等优点。

ISG, IRG, GRG, IHG, YG, IHGB series single-stage single suction vertical centrifugal pump, the system according to the IS type, IR type centrifugal pump performance parameters, according to ISO2858 standard, using domestic excellent hydraulic model for optimization design. The series pumps not only have the advantages of high efficiency and energy saving, good reliability, small vibration, low noise, but also has the advantages of beautiful appearance, convenient installation and maintenance and reduce the cost of pumping station (or no pumping station).

主要用途 Main use

ISG、IRG、GRG、IHG、YG、IHGB系列适用于供暖及空调系统冷热水循环、高层建筑给水、消防管路增压、远距离输水、工业生产工艺循环增压、园林喷灌，供输送清水或物理化学性质类似于清水的其它液体之用。

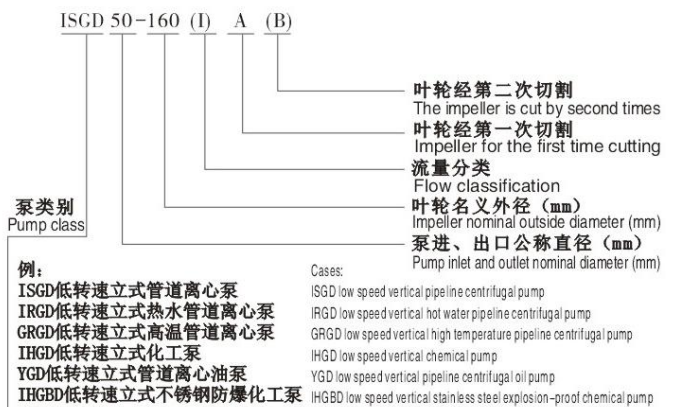
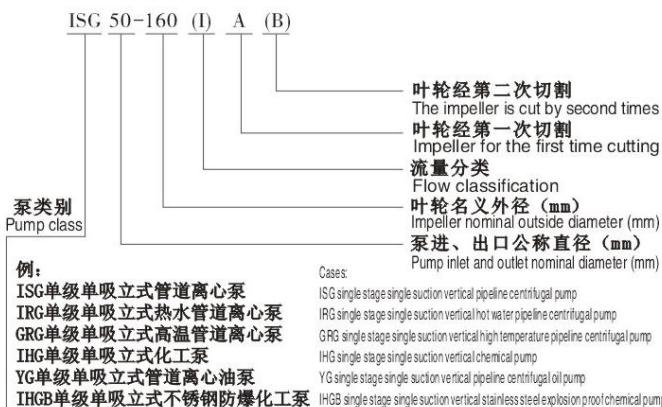
ISG, IRG, GRG, IHG, YG, IHGB series is suitable for heating and air-conditioning system water circulation, high-rise building water supply, fire fighting pipeline pressurization, long distance water delivery, industrial production process pressurized water, garden sprinkler, for conveying water or physical and chemical properties similar to the other liquid water.

主要特点 Main features

- 1、该系列泵为立式结构，机泵一体，外形美观、占地面积少、泵站土建造价低，如采用防护等级IP54户外型电机，则无需泵房可置于户外使用。
- 2、泵的进、出口径相同，且位于同一中心线上，能像阀门一样直接安装在管道上，安装简便。
- 3、叶轮直接装配在电机加长轴上，使泵运行更加平稳，振动小，噪音低。
- 4、轴封采用优质机械密封，无泄漏，使用寿命长。
- 5、泵盖上装有放气阀，泵体下侧设有放水孔，进、出口法兰设有取压孔，能确保泵正常使用和维护。
- 6、可根据使用要求，采用串联或并联运行方式及管径放大使用。

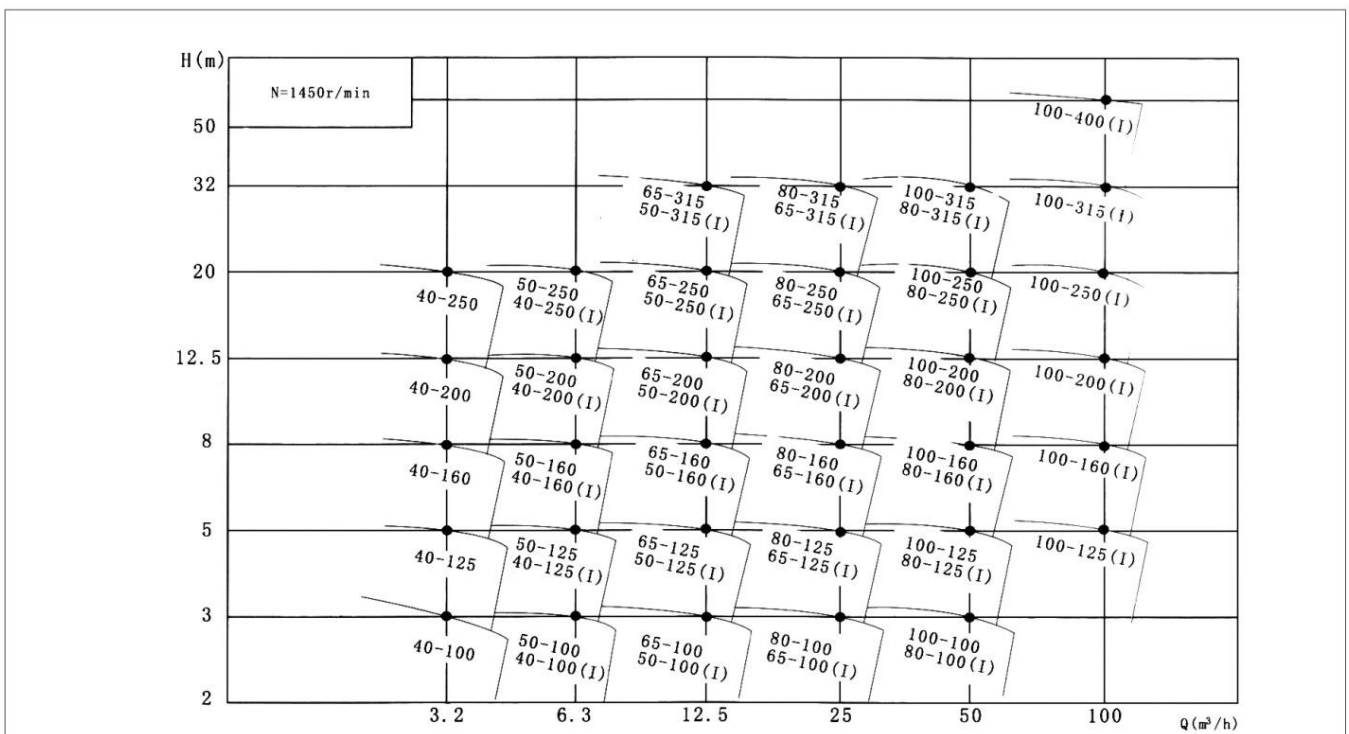
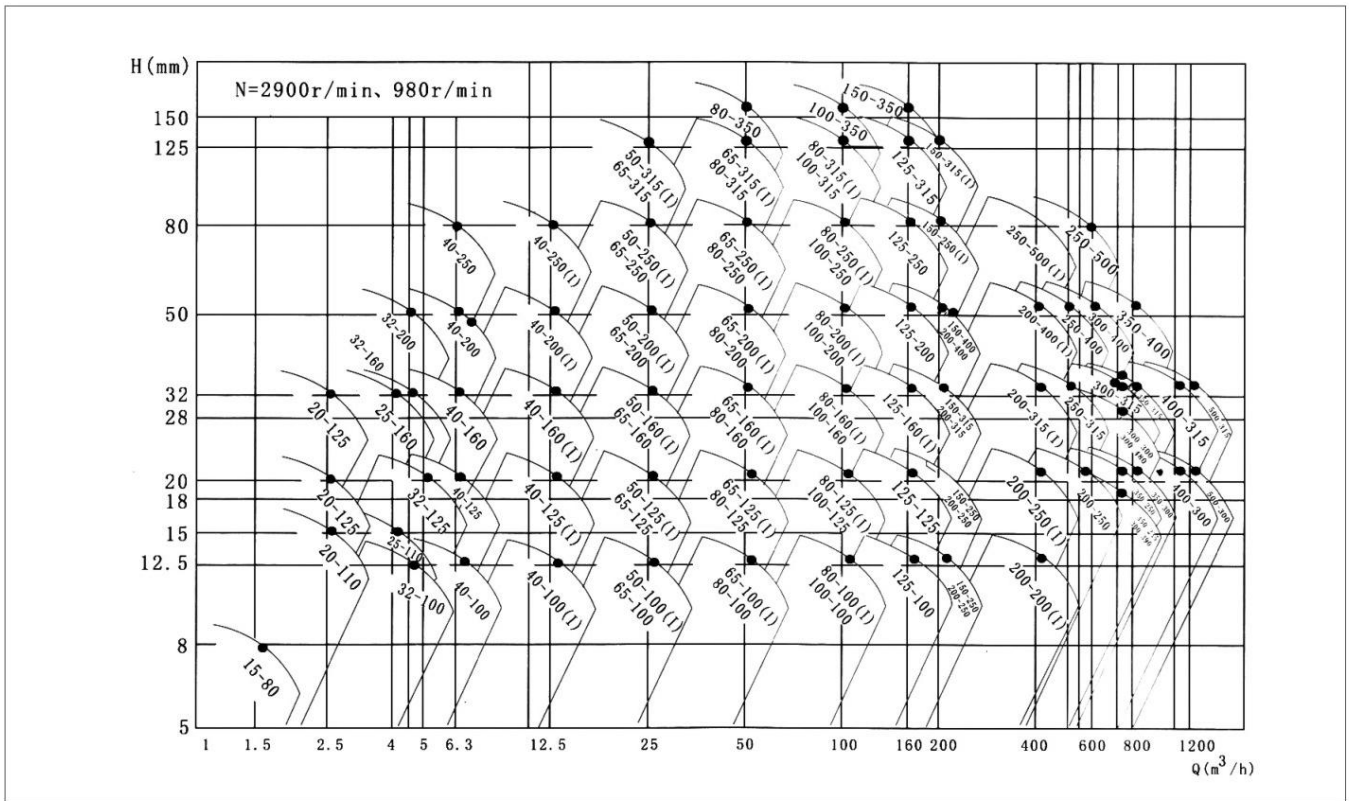
- 1, the series of pumps for the vertical structure, the pump body, beautiful appearance, covers an area of less, pumping station construction cost, such as the level of protection IP54 outdoor type motor, there is no need to pump can be placed on the door External use.
- 2, the pump inlet and outlet diameter of the same, and is located in the same center line, can be as direct as the valve installed in the pipe, easy to install.
- 3, the impeller directly on the motor shaft, so that the pump running more stable, small vibration, low noise.
- 4, seal with high quality mechanical seal, no leakage, long service life. With bleeder valve
- 5, the pump cover, the pump body is arranged on the lower side of the drain hole, inlet and outlet flange is provided with pressure hole, to ensure the normal use and maintenance of the pump.
- 6, according to the use of the requirements, the use of series or parallel operation and the use of pipe diameter.

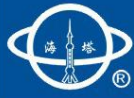
型号意义 Model significance





ISG、IRG、GRG、IHG、YG、IHGB型泵型谱图 pump spectrum





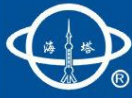
ISG、IHG、YG泵性能参数 performance parameters

序号 Serial number	型号 Type	流量Q Flow Q		扬程 Head (m)	效率 Eff. (%)	转速 Speed (r/min)	功率 Power (kW)	汽蚀余量 (NPSH)r (m)	序号 Serial number	型号 Type	流量Q Flow Q		扬程 Head (m)	效率 Eff. (%)	转速 Speed (r/min)	功率 Power (kW)	汽蚀余量 (NPSH)r (m)
		(m³/h)	(L/s)								(m³/h)	(L/s)					
10001	ISG15-80	1.1 1.5 2.0	0.30 0.42 0.55	8.5 8 7	26 34 34	2800	0.18	2.3	10030	ISG40-160 (I)B	6.5 10.5 13.0	1.8 2.92 3.61	23.5 22.5 21.0	41 50 50	2900	1.5	2.3
10002	ISG20-110	1.8 2.5 3.3	0.50 0.69 0.92	16 15 13.5	25 34 35	2800	0.37	2.3	10031	ISG40-200 (I)	7.5 12.5 15	2.08 3.47 4.17	52 50 48	36 46 46	2900	5.5	2.3
10003	ISG20-160	1.8 2.5 3.3	0.50 0.69 0.92	33 32 30	19 25 23	2900	1.1	2.3	10032	ISG40-200 (I)A	7.0 11.7 14.0	1.94 3.25 3.89	45.5 44.5 42.5	35 45 46	2900	4.0	2.3
10004	ISG25-110	2.8 4 5.2	0.78 1.11 1.44	16 15 13.5	34 42 41	2900	0.55	2.3	10033	ISG40-200 (I)B	6.5 10.5 13.0	1.8 2.92 3.61	36.5 35 33.5	33 44 43	2900	3.0	2.3
10005	ISG25-125	2.8 4 5.2	0.78 1.11 1.44	20.6 20 18	28 36 35	2900	0.75	2.3	10034	ISG40-250 (I)	7.5 12.5 15	2.08 3.47 4.17	82 80 78.5	28.5 38 41	2900	11.0	2.3
10006	ISG25-160	2.8 4 5.2	0.69 1.11 1.44	33 32 30	24 32 33	2900	1.5	2.3	10035	ISG40-250 (I)A	7.0 11.7 14.0	1.94 3.25 3.89	71.5 70 68.5	27 38 40	2900	7.5	2.3
10007	ISG25-160A	2.6 3.7 4.9	0.72 1.03 1.36	28.5 28 26	22 31 29	2900	1.1	2.3	10036	ISG40-250 (I)B	6.5 10.8 13.0	1.8 3.0 3.61	62 60 58	26 37 36	2900	7.5	2.3
10008	ISG32-100 (I)	3.75 6.3 7.5	1.04 1.75 2.08	13.2 12.5 11.5	46 54 53	2900	0.75	2.3	10037	ISG50-100	7.5 12.5 15	2.08 3.47 4.17	13.6 12.5 11.5	55 62 60	2900	1.1	2.3
10009	ISG32-125 (I)	3.75 6.3 7.5	1.04 1.75 2.08	21.5 20 18.5	40 46 44	2900	1.1	2.3	10038	ISG50-100A	6.5 11.2 13.0	1.8 3.11 3.61	11.5 10 9	50 60 58	2900	0.75	2.3
10010	ISG32-160 (I)	3.75 6.3 7.5	1.04 1.75 2.08	34 32 30	34 40 40	2900	2.2	2.3	10039	ISG50-125	7.5 12.5 15	2.08 3.47 4.17	21.5 20 18.5	48 58 57	2900	1.5	2.3
10011	ISG32-200 (I)	3.75 6.3 7.5	1.04 1.75 2.08	52 50 48	25 33 32	2900	4.0	2.3	10040	ISG50-125A	6.5 11.2 13.0	1.8 3.11 3.61	18.5 17.2 15.5	45 56 56	2900	1.1	2.3
10012	ISG40-100	3.75 6.3 7.5	1.04 1.75 2.08	13.2 12.5 11.5	46 54 53	2900	0.75	2.3	10041	ISG50-160	7.5 12.5 15	2.08 3.47 4.17	33.5 32 30.5	45 52 52	2900	3.0	2.3
10013	ISG40-125	3.75 6.3 7.5	1.04 1.75 2.08	21.5 20 18.5	40 46 44	2900	1.1	2.3	10042	ISG50-160A	7.0 11.7 14.0	1.94 3.25 3.89	29.5 28 26.5	44 51 50	2900	2.2	2.3
10014	ISG40-125A	3.2 5.6 6.4	0.89 1.56 1.78	18 16 14.5	40 45 42	2900	0.75	2.3	10043	ISG50-160B	6.5 10.5 13.0	1.8 2.92 3.61	23.5 22.5 21.0	42 50 50	2900	1.5	2.3
10015	ISG40-160	3.75 6.3 7.5	1.04 1.75 2.08	34 32 30	34 40 40	2900	2.2	2.3	10044	ISG50-200	7.5 12.5 15	2.08 3.47 4.17	52 50 48	36 46 46	2900	5.5	2.3
10016	ISG40-160A	3.5 5.9 7.0	0.97 1.64 1.94	29 28 26.5	33 39 39	2900	1.5	2.3	10045	ISG50-200A	7.0 11.7 14.0	1.94 3.25 3.89	45.5 44.5 42.5	35 45 46	2900	4.0	2.3
10017	ISG40-160B	3.2 5.2 6.5	0.89 1.53 1.80	25.5 24 23	34 38 37	2900	1.1	2.3	10046	ISG50-200B	6.5 10.5 13.0	1.8 2.92 3.61	36.5 35 33.5	33 44 43	2900	3.0	2.3
10018	ISG40-200	3.75 6.3 7.5	1.04 1.75 2.08	52 50 48	25 33 32	2900	4.0	2.3	10047	ISG50-250	7.5 12.5 15	2.08 3.47 4.17	82 80 78.5	28.5 38 41	2900	11.0	2.3
10019	ISG40-200A	3.5 5.9 7.0	0.97 1.64 1.94	45.5 44 42	26 31 32	2900	3.0	2.3	10048	ISG50-250A	7.0 11.7 14	1.94 3.25 3.89	71.5 70 68.5	27 38 40	2900	7.5	2.3
10020	ISG40-200B	3.2 5.5 6.5	0.89 1.53 1.80	39 38 36.5	23 29 29	2900	2.2	2.3	10049	ISG50-250B	6.5 10.8 13.0	1.8 3.0 3.61	62 60 58	26 37 36	2900	7.5	2.3
10021	ISG40-250	3.75 6.3 7.5	1.04 1.75 2.08	82 80 74	23 28 28	2900	7.5	2.3	10050	ISG50-100 (I)	15 25 30	4.17 6.94 8.33	14.0 12.5 11.0	65 69 69	2900	1.5	2.5
10022	ISG40-250A	3.5 5.9 7.0	0.97 1.64 0.94	72 70 67	24 28 27	2900	5.5	2.3	10051	ISG50-100 (I)A	13.5 22.4 27.0	3.75 6.22 7.5	12 10 8.5	60 67 68	2900	1.1	2.5
10023	ISG40-250B	3.2 5.5 6.5	0.89 1.53 1.80	62 60 57	23 27 27	2900	4.0	2.3	10052	ISG50-125 (I)	15 25 30	4.17 6.94 8.33	21.8 20 18.5	60 68 67	2900	3.0	2.5
10024	ISG40-100 (I)	7.5 12.5 15	2.08 3.47 4.17	13.6 12.5 11.5	55 62 60	2900	1.1	2.3	10053	ISG50-125 (I)A	13.5 22.4 27	3.75 6.22 7.5	18 16 14	60 66 65	2900	2.2	2.5
10025	ISG40-100 (I)A	6.5 11.2 13.0	1.8 3.11 3.61	11.5 10 9	50 60 58	2900	0.75	2.3	10054	ISG50-160 (I)	15 25 30	4.17 6.94 8.33	35 32 30	52 63 65	2900	4.0	2.5
10026	ISG40-125 (I)	7.5 12.5 15	2.08 3.47 4.17	21.5 20 18.5	48 58 57	2900	1.5	2.3	10055	ISG50-160 (I)A	14.0 23.4 28	3.89 6.5 7.78	30 28 26	62	2900	4.0	2.5
10027	ISG40-125 (I)A	6.5 11.2 13.0	1.8 3.11 3.61	18.5 17.2 15.5	45 56 56	2900	1.1	2.3	10056	ISG50-160 (I)B	13.0 21.6 26	3.6 6.0 7.2	26 24 22	58	2900	3.0	2.5
10028	ISG40-160 (I)	7.5 12.5 15	2.08 3.47 4.17	33.5 32 30.5	45 52 52	2900	3.0	2.3	10057	ISG50-200 (I)	15 25 30	4.17 6.94 8.33	53 50 47	48 58 59	2900	7.5	2.5
10029	ISG40-160 (I)A	7.0 11.7 14.0	1.94 3.25 3.89	29.5 28 26.5	44 51 50	2900	2.2	2.3	10058	ISG50-200 (I)A	14.0 23.4 28	3.89 6.5 7.78	45.5 44 42	48 57 58	2900	7.5	2.5



ISG、IHG、YG泵性能参数 performance parameters

序号 Serial number	型号 Type	流量Q Flow Q		扬程 Head (m)	效率 Eff. (%)	转速 Speed (r/min)	功率 Power (kW)	汽蚀余量 (NPSH) _r (m)	序号 Serial number	型号 Type	流量Q Flow Q		扬程 Head (m)	效率 Eff. (%)	转速 Speed (r/min)	功率 Power (kW)	汽蚀余量 (NPSH) _r (m)
		(m ³ /h)	(L/s)								(m ³ /h)	(L/s)					
10059	ISG50-200 (I) B	13.0 21.6 26	3.6 6.0 7.2	39 37 35	55	2900	5.5	2.5	10088	ISG65-160 (I) B	26 43.2 52	7.2 12.0 14.4	27 24 22	60 70 71	2900	5.5	3.0
10060	ISG50-250 (I)	15 25 30	4.17 6.94 8.33	82 80 78	36 52 50	2900	15	2.5	10089	ISG65-200 (I)	30 50 60	8.3 13.9 16.7	53 54 47	54 68 70	2900	15	3.0
10061	ISG50-250 (I) A	14.0 23.4 28	3.89 6.5 7.78	72 70 68	38 50 52	2900	11	2.5	10090	ISG65-200 (I) A	28 46.8 56	7.78 13.0 15.6	46 44 42	53 68 70	2900	11	3.0
10062	ISG50-250 (I) B	13.0 21.6 26	3.6 6.0 7.2	63 60 58	40 49 50	2900	11	2.5	10091	ISG65-200 (I) B	26 43 52	7.2 11.9 14.4	40 37 34	52 66 68	2900	7.5	3.0
10063	ISG50-315 (I)	15 25 30	4.17 6.94 8.33	127 125 123	28 40 44	2900	30	2.5	10092	ISG65-250 (I)	30 50 60	8.3 13.9 16.7	84 80 75	51 62 63	2900	22	3.0
10064	ISG50-315 (I) A	14.0 23.4 28	3.89 6.5 7.78	113 110 108	30 44 44	2900	22	2.5	10093	ISG65-250 (I) A	28 46.8 56	7.78 13.0 15.6	73 70 65	50 61 61	2900	18.5	3.0
10065	ISG50-315 (I) B	13.0 21.6 26	3.6 6.0 7.2	95 93 90	26 38 40	2900	18.5	2.5	10094	ISG65-250 (I) B	26 43 52	7.2 11.9 14.4	63 60 56	50 60 60	2900	15	3.0
10066	ISG65-100	15 25 30	4.17 6.94 8.33	14.0 12.5 11.0	65 69 69	2900	1.5	2.5	1005	ISG65-315 (I)	30 50 60	8.3 13.9 16.7	128 125 123	41 54 57	2900	37	3.0
10067	ISG65-100A	13.5 22.4 27.0	3.75 6.22 7.5	12 10 8.5	60 67 68	2900	1.1	2.5	10096	ISG65-315 (I) A	27.5 45.8 55	7.64 12.7 15.3	107.5 105 103	40 53 54	2900	30	3.0
10068	ISG65-125	15 25 30	4.17 6.94 8.33	21.8 20 18.5	60 68 67	2900	3.0	2.5	10097	ISG65-315 (I) B	26 43 52	7.2 11.9 14.4	96.5 93 91	41 53 53	2900	30	3.0
10069	ISG65-125A	13.5 22.4 27	3.75 6.22 7.5	18 16 14	60 66 65	2900	2.2	2.5	10098	ISG80-100	30 50 60	8.3 13.9 16.7	14 12.5 10.5	65 73 73	2900	3.0	3.0
10070	ISG65-160	15 25 30	4.17 6.94 8.33	35 32 30	52 63 65	2900	4.0	2.5	10099	ISG80-100A	27 44.8 54	7.5 12.4 15	11.5 10 8.5	64 72 70	2900	2.2	3.0
10071	ISG65-160A	14.0 23.4 28	3.89 6.5 7.78	30 28 26	62	2900	4.0	2.5	10100	ISG80-125	30 50 60	8.3 13.9 16.7	22.5 20 18	62 73 72	2900	5.5	3.0
10072	ISG65-160B	13.0 21.6 26	3.6 6.0 7.2	26 24 22	58	2900	3.0	2.5	10101	ISG80-125A	27 44.8 54	7.5 12.4 15	18 16 14	60 72 71	2900	4.0	3.0
10073	ISG65-200	15 25 30	4.17 6.94 8.33	53 50 47	48 58 59	2900	7.5	2.5	10102	ISG80-160	30 50 60	8.3 13.9 16.7	36 32 29	63 72 72	2900	7.5	3.0
10074	ISG65-200A	14.0 23.4 28	3.89 6.5 7.78	45.5 44 42	48 57 58	2900	7.5	2.5	10103	ISG80-160A	28 46.8 56	7.78 13.0 15.6	32 28 26	62 70 72	2900	5.5	3.0
10075	ISG65-200B	13.0 21.6 26	3.6 6.0 7.2	39 37 35	55	2900	5.5	2.5	10104	ISG80-160B	26 43.2 52	7.2 12.0 14.4	27 24 22	60 70 71	2900	4.0	3.0
10076	ISG65-250	15 25 30	4.17 6.94 8.33	82 80 78	36 52 50	2900	15	2.5	10105	ISG80-200	30 50 60	8.3 13.9 16.7	53 50 47	54 68 70	2900	15	3.0
10077	ISG65-250A	14 23.4 28	3.89 6.5 7.78	72 70 68	38 50 52	2900	11	2.5	10106	ISG80-200A	28 46.8 56	7.78 13.0 15.6	46 44 42	53 68 70	2900	11	3.0
10078	ISG65-250B	13.0 21.6 26	3.6 6.0 7.2	63 60 58	40 49 50	2900	11	2.5	10107	ISG80-200B	26 43 52	7.2 11.9 14.4	40 37 34	52 66 68	2900	7.5	3.0
10079	ISG65-315	15 25 30	4.17 6.94 8.33	127 125 123	28 40 44	2900	30	2.5	10108	ISG80-250	30 50 60	8.3 13.9 16.7	84 80 75	51 62 63	2900	22	3.0
10080	ISG65-315A	14.0 23.4 28	3.89 6.5 7.78	113 110 108	30 40 44	2900	22	2.5	10109	ISG80-250A	28 46.8 56	7.78 13.0 15.6	73 70 65	50 61 61	2900	18.5	3.0
10081	ISG65-315B	13.0 21.6 26	3.6 6.0 7.2	95 93 90	26 28 40	2900	18.5	2.5	10110	ISG80-250B	26 43 52	7.2 11.9 14.4	63 60 56	50 60 60	2900	15.0	3.0
10082	ISG65-100 (I)	30 50 60	8.3 13.9 16.7	14.0 12.5 10.5	65 73 73	2900	3.0	3.0	10111	ISG80-315	30 50 60	8.33 13.9 16.7	128 125 123	41 54 57	2900	37.0	3.0
10083	ISG65-100 (I) A	27 44.8 54	7.5 12.4 15	11.5 10 8.5	64 72 70	2900	2.2	3.0	10112	ISG80-315A	27.5 45.8 55	7.64 12.7 15.3	107.5 105 103	40 53 54	2900	30.0	3.0
10084	ISG65-125 (I)	30 50 60	8.3 13.9 16.7	22.5 20 18	62 73 72	2900	5.5	3.0	10113	ISG80-315B	26 43 52	7.2 11.9 14.4	96.5 93 91	41 53 53	2900	30.0	3.0
10085	ISG65-125 (I) A	27 44.8 54	7.5 12.4 15	18 16 14	60 72 71	2900	4.0	3.0	10114	ISG80-350	35 50 60	9.72 13.9 16.7	156 150 140	53 54 52	2900	55	3.0
10086	ISG65-160 (I)	30 50 60	8.3 13.9 16.7	36 32 29	63 72 72	2900	7.5	3.0	10115	ISG80-350A	30.8 44 52.8	8.56 12.2 14.7	148 142 135	45 51 50	2900	45	3.0
10087	ISG65-160 (I) A	28 46.8 56	7.78 13.0 15.6	32 28 26	62 70 72	2900	7.5	3.0	10116	ISG80-350B	28 40 46	7.78 11.1 12.8	142 135 128	39 48 46	2900	37	3.0



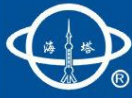
ISG、IHG、YG泵性能参数 performance parameters

序号 Serial number	型号 Type	流量Q Flow Q		扬程 Head (m)	效率 Eff. (%)	转速 Speed (r/min)	功率 Power (kW)	汽蚀余量 (NPSH)r (m)	序号 Serial number	型号 Type	流量Q Flow Q		扬程 Head (m)	效率 Eff. (%)	转速 Speed (r/min)	功率 Power (kW)	汽蚀余量 (NPSH)r (m)
		(m³/h)	(L/s)								(m³/h)	(L/s)					
10117	ISG80-100 (I)	60 100 120	16.7 27.8 33.3	14 12.5 11	65 76 75	2900	5.5	4.5	10146	ISG100-315	60 100 120	16.7 27.8 33.3	133 125 118	55 66 67	2900	75	4.0
10118	ISG80-100 (I)A	54 89 108	15 24.7 30	11 10 8.9	63 75 74	2900	4.0	4.5	10147	ISG100-315A	56 93.5 112	15.5 26 31.1	115 110 103	54 66 67	2900	55	4.0
10119	ISG80-125 (I)	60 100 120	16.7 27.8 33.3	24 20 16.5	66 76 75	2900	11.0	4.5	10148	ISG100-315B	52 86.4 104	14.4 24 28.9	100 93 88	52 65 65	2900	45	4.0
10120	ISG80-125 (I)A	54 89 108	15 24.7 30	19 16 13	63 75 72	2900	7.5	4.5	10149	ISG100-350	70 100 130	19.4 27.8 36.1	156 150 148	63 65 64	2900	90	4.0
10121	ISG80-160 (I)	60 100 120	16.7 27.8 33.3	36 32 28	70 78 75	2900	15.0	4.5	10150	ISG100-350A	64 88 113	27.2 24.4 31.1	148 142 134	60 63 62	2900	75	4.0
10122	ISG80-160 (I)A	56 93.5 112	15.5 26 31.1	31 28 24	68 76 73	2900	11.0	4.5	10151	ISG100-350B	56 80 104	15.6 22.2 18.9	140 135 125	55 60 59	2900	55	4.0
10123	ISG80-160 (I)B	52 86.4 104	14.4 24 28.9	26.5 24 20.5	67 75 74	2900	11.0	4.5	10152	ISG100-100 (I)	100 160 200	27.8 44.4 55.5	13 12.5 11	71 82 81	2900	11.0	4.0
10124	ISG80-200 (I)	60 100 120	16.7 27.8 33.3	54 50 47	64 74 75	2900	22.0	4.0	10153	ISG100-125 (I)	100 160 200	27.2 44.4 55.5	22.5 20 17	70 80 80	2900	15.0	4.0
10125	ISG80-200 (I)A	56 93.5 112	15.5 26 31.1	47 44 41	65 73 73	2900	18.5	4.0	10154	ISG100-125 (I)A	88 143 176	24.4 39.7 48.9	18 16 13.6	77	2900	11.0	4.0
10126	ISG80-200 (I)B	52 86.4 104	14.4 24 28.9	41 37 35	62 72 72	2900	15.0	4.0	10155	ISG100-160 (I)	100 160 200	27.8 44.4 55.5	35 32 28	66 78 76	2900	22	4.0
10127	ISG80-250 (I)	60 100 120	16.7 27.8 33.3	87 80 74.5	61 72 72	2900	37.0	4.0	10156	ISG100-160 (I)A	93.5 150 187	26 41.7 51.9	31 28 24.5	76	2900	18.5	4.0
10128	ISG80-250 (I)A	56 93.5 112	15.5 26 31.1	75 70 65	60 71 72	2900	30.0	4.0	10157	ISG100-200 (I)	100 160 200	27.8 44.4 55.5	54 56 50	65 77 75	2900	37	4.0
10129	ISG80-250 (I)B	52 86.4 104	14.4 24 28.9	65 60 56	60 70 72	2900	30.0	4.0	10158	ISG100-200 (I)A	93.5 150 187	26 41.7 51.9	47.5 44 40.5	76	2900	30	4.0
10130	ISG80-315 (I)	60 100 120	16.7 27.8 33.3	133 125 118	55 66 67	2900	75.0	4.0	10159	ISG100-200 (I)B	85 138 170	23.6 38.3 47.2	40 37 34	75	2900	22	4.0
10131	ISG80-315 (I)A	56 93.5 112	15.5 26 31.1	115 110 103	54 66 67	2900	55.0	4.0	10160	ISG100-250 (I)	100 160 200	27.8 44.4 55.5	86 80 73	62 75 74	2900	55	4.0
10132	ISG80-315 (I)B	52 86.4 104	14.4 24 28.9	100 93 88	52 65 65	2900	45.0	4.0	10161	ISG100-250 (I)A	93.5 150 187	26 41.7 51.9	75 70 64	74	2900	45	4.0
10133	ISG100-100	60 100 120	16.7 27.8 33.3	14 12.5 11	65 76 75	2900	5.5	4.5	10162	ISG100-250 (I)B	85 138 170	23.6 38.3 47.2	64 60 55	73	2900	37	4.0
10134	ISG100-100A	54 89 108	15 24.7 30	11 10 8.9	63 75 74	2900	4.0	4.5	10163	ISG125-160	120 200 240	33.3 55.5 66.7	35 32 28	64 76 75	2900	30	4.5
10135	ISG100-125	60 100 120	16.7 27.8 33.3	24 20 16.5	66 76 75	2900	11.0	4.5	10164	ISG125-160A	112 187 224	31.1 51.9 62.2	30.5 28 24	63 75 75	2900	22	4.5
10136	ISG100-125A	54 89 108	15 24.7 30	19 16 13	63 75 72	2900	7.5	4.5	10165	ISG125-200	120 200 240	33.3 55.5 66.7	54 50 46	63 74 73	2900	45	4.5
10137	ISG100-160	60 100 120	16.7 27.8 33.3	36 32 28	70 78 75	2900	15.0	4.5	10166	ISG125-200A	112 187 224	31.1 51.9 62.2	47 44 40	62 73 73	2900	37	4.5
10138	ISG100-60A	56 93.5 112	15.5 26 31.1	31 28 24	68 76 73	2900	11.0	4.5	10167	ISG125-200B	104 172 208	28.9 47.8 57.8	40 37 34.5	61 72 73	2900	30	4.5
10139	ISG100-160B	52 86.4 104	14.4 24 28.9	26.5 24 20.5	67 75 74	2900	11.0	4.5	10168	ISG125-250	120 200 240	33.3 55.5 66.7	85 80 76	60 72 71	2900	75	4.5
10140	ISG100-200	60 100 120	16.7 27.8 33.3	54 50 47	64 74 75	2900	22.0	4.0	10169	ISG125-250A	112 187 224	31.1 51.9 62.2	74 70 66	60 72 72	2900	55	4.5
10141	ISG100-200A	56 93.5 112	15.5 26 31.1	47 44 41	65 73 73	2900	18.5	4.0	10170	ISG125-250B	104 172 208	28.9 47.8 57.8	64 60 57	58 71 70	2900	45	4.5
10142	ISG100-200B	52 86.4 104	14.4 24 28.9	41 37 35	62 72 72	2900	15	4.0	10171	ISG125-315	120 200 240	33.3 55.5 66.7	132 125 120	60 75 77	2900	110	4.5
10143	ISG100-250	60 100 120	16.7 27.8 33.3	87 80 74.5	61 72 73	2900	37	4.0	10172	ISG125-315A	112 187 224	31.1 51.9 62.2	115 110 104.5	63 74 72	2900	90	4.5
10144	ISG100-250A	56 93.5 112	15.5 26 31.1	75 70 65	60 71 72	2900	30	4.0	10173	ISG125-315B	104 172 208	28.9 47.8 57.8	99 93 89	60 72 71	2900	75	4.5
10145	ISG100-250B	52 86.4 104	14.4 24 28.9	65 60 56	60 70 72	2900	30	4.0	10174	ISG150-250	120 200 240	33.3 55.5 66.7	85 80 76	60 73 70	2900	75	4.5



ISG、IHG、YG泵性能参数 performance parameters

序号 Serial number	型号 Type	流量Q Flow Q		扬程 Head (m)	效率 Eff. (%)	转速 Speed (r/min)	功率 Power (kW)	汽蚀余量 (NPSH) _r (m)	序号 Serial number	型号 Type	流量Q Flow Q		扬程 Head (m)	效率 Eff. (%)	转速 Speed (r/min)	功率 Power (kW)	汽蚀余量 (NPSH) _r (m)
		(m ³ /h)	(L/s)								(m ³ /h)	(L/s)					
10175	ISG150-250A	112 187 224	31.1 51.9 62.2	74 70 66	58 70 71	2900	55	4.5	10204	ISG50-250 (I)B	6.0 10 12	1.67 2.78 3.33	13.5 13 12.5	43	1450	1.1	2.5
10176	ISG150-250B	104 172 208	28.9 47.8 57.8	64 60 57	58 71 71	2900	45	4.5	10205	ISG50-315 (I)	7.5 12.5 15	2.08 3.47 4.17	32.4 32 31.5	36	1450	4.0	2.5
10177	ISG150-315	120 200 240	33.3 55.5 66.7	132 125 120	60 75 77	2900	110	4.5	10206	ISG50-315 (I)A	7.0 11.7 14	1.94 3.25 3.89	28.3 28 27.5	36	1450	3.0	2.5
10178	ISG150-315A	112 187 224	31.1 51.9 62.2	115 110 104.5	63 74 72	2900	90	4.5	10207	ISG50-315 (I)B	6 10 12	1.67 2.78 3.33	21.5 21 20.5	34	1450	3.0	2.5
10179	ISG150-315B	104 172 208	28.9 47.8 57.8	99 93 89	60 72 71	2900	75	4.5	10208	ISG65-125	7.5 12.5 15	2.08 3.47 4.17	5.5 5 4.6	64	1450	0.55	2.8
10180	ISG150-350	112 160 192	31.1 44.4 52.3	160 150 138	69 70 67	2900	110	4.5	10209	ISG65-160	7.5 12.5 15	2.08 3.47 4.17	8.7 8 7.5	60	1450	0.75	2.8
10181	ISG150-350A	105 150 180	29.2 41.7 50	152 142 130	68 69 65	2900	90	4.5	10210	ISG65-160A	7 11 14	1.94 3.1 3.9	6.7 6 5.5	58	1450	0.37	2.8
10182	ISG150-350B	98 140 168	27.2 38.9 46.7	110 101 90	63 67 60	2900	75	4.5	10211	ISG65-200	7.5 12.5 15	2.08 3.47 4.17	13.2 12.5 11.7	55	1450	1.1	2.8
10183	ISG40-125 (I)	3.75 6.3 7.5	1.04 1.75 2.08	5.4 5 4.6	53	1450	0.55	2.5	10212	ISG65-200A	6.5 11.2 13.0	1.8 3.11 3.61	11.0 10 9	54	1450	0.75	2.8
10184	ISG40-160 (I)	3.75 6.3 7.5	1.04 1.75 2.08	8.4 8 7.5	48	1450	0.55	2.5	10213	ISG65-250	7.5 12.5 15	2.08 3.47 4.17	20.5 20 19.5	45	1450	2.2	2.8
10185	ISG40-160 (I)A	3.2 5.5 6.4	0.89 1.53 1.78	6.3 6 5.6	46	1450	0.37	2.5	10214	ISG65-250A	7.0 11.7 14	1.94 3.25 3.89	18 17.5 17	44	1450	1.5	2.8
10186	ISG40-200 (I)	3.75 6.3 7.5	1.04 1.75 2.08	13 12.5 12	40	1450	0.75	2.5	10215	ISG65-250B	6 10 12	1.67 2.78 3.33	13.5 13 12.5	43	1450	1.1	2.8
10187	ISG40-200 (I)A	3.5 5.8 7.0	0.97 1.61 1.94	11.4 11.0 10	39	1450	0.55	2.5	10216	ISG65-315	7.5 12.5 15	2.08 3.47 4.17	32.4 32 31.5	36	1450	4.0	2.8
10188	ISG40-250 (I)	3.75 6.3 7.5	1.04 1.75 2.08	20.5 20 19.5	32	1450	1.5	2.5	10217	ISG65-315A	7.0 11.7 14	1.94 3.25 3.89	28.3 28 27.5	36	1450	3.0	2.8
10189	ISG40-250 (I)A	3.5 5.8 7.0	0.97 1.61 1.94	17.4 17.0 16.5	32	1450	1.1	2.5	10218	ISG65-315B	6 10 12	1.67 2.78 3.33	21.5 21 20.5	34	1450	3.0	2.8
10190	ISG50-125	3.75 6.3 7.5	1.04 1.75 2.08	5.4 5 4.6	53	1450	0.55	2.5	10219	ISG65-125 (I)	15 25 30	4.17 6.94 8.33	5.6 5 4.5	70	1450	0.75	2.8
10191	ISG50-160	3.75 6.3 7.5	1.04 1.75 2.08	8.4 8 7.5	48	1450	0.55	2.5	10220	ISG65-160 (I)	15 25 30	4.17 6.94 8.33	9 8 7.2	68	1450	1.5	2.8
10192	ISG50-160A	3.2 5.5 6.4	0.87 1.53 1.78	6.3 6 5.6	46	1450	0.37	2.5	10221	ISG65-160 (I)A	14 22 28	3.89 6.1 7.8	7 6 5.5	67	1450	1.1	2.8
10193	ISG50-200	3.75 6.3 7.5	1.04 1.75 2.08	13 12.5 12	40	1450	0.75	2.5	10222	ISG65-200 (I)	15 25 30	4.17 6.94 8.33	13.2 12.5 11.8	64	1450	2.2	2.8
10194	ISG50-200A	3.5 5.8 7.0	0.97 1.61 1.94	11.4 11.0 10	39	1450	0.55	2.5	10223	ISG65-200 (I)A	14 23.3 27.9	3.89 6.47 7.75	11.5 11 10.2	63	1450	1.5	2.8
10195	ISG50-250	3.75 6.3 7.5	1.04 1.75 2.08	20.5 20 19.5	32	1450	1.5	2.5	10224	ISG65-250 (I)	15 25 30	4.17 6.94 8.33	21 20 18.8	58	1450	3.0	2.8
10196	ISG50-250A	3.5 5.8 7.0	0.97 1.61 1.94	17.4 17.0 16.5	32	1450	1.1	2.5	10225	ISG65-250 (I)A	13.3 22.2 26.6	3.69 6.17 7.39	16.6 15.8 14.8	58	1450	2.2	2.8
10197	ISG50-125 (I)	7.5 12.5 15	2.08 3.47 4.17	5.5 5 4.6	64	1450	0.55	2.5	10226	ISG65-250 (I)B	12 20 24	3.33 5.56 6.67	13.6 12.8 12.2	57	1450	1.5	2.8
10198	ISG50-160 (I)A	7.5 12.5 15	2.08 3.47 4.17	8.7 8 7.5	60	1450	0.75	2.5	10227	ISG65-315 (I)	15 25 30	4.17 6.94 8.33	32.5 32 31.5	51	1450	5.5	2.8
10199	ISG50-160 (I)A	7 11 14	1.94 3.1 3.9	6.7 6 5.5	58	1450	0.37	2.5	10228	ISG65-315 (I)A	13.5 22.5 27	3.75 6.25 7.5	26.4 26 25.6	50	1450	4.0	2.8
10200	ISG50-200 (I)	7.5 12.5 15	2.08 3.47 4.17	13.2 12.5 11.7	55	1450	1.1	2.5	10229	ISG65-315 (I)B	12 20 24	3.33 5.56 6.67	20.4 21.0 20.6	49	1450	3.0	2.8
10201	ISG50-200 (I)A	6.5 11.2 13.0	1.8 3.11 3.61	11.0 10 9	54	1450	0.75	2.5	10230	ISG80-125	15 25 30	4.17 6.94 8.33	5.6 5 4.5	70	1450	0.75	2.8
10202	ISG50-250 (I)	7.5 12.5 15	2.08 3.47 4.17	20.5 20 19.5	45	1450	2.2	2.5	10231	ISG80-160	15 25 30	4.17 6.94 8.33	9 8 7.2	68	1450	1.5	2.8
10203	ISG50-250 (I)A	7.0 11.7 14	1.94 3.25 3.89	18 17.5 17	44	1450	1.5	2.5	10232	ISG80-160A	14 22 28	3.89 6.1 7.8	7 6 5.5	67	1450	1.1	2.8



ISG、IHG、YG泵性能参数 performance parameters

序号 Serial number	型号 Type	流量Q Flow Q		扬程 Head (m)	效率 Eff. (%)	转速 Speed (r/min)	功率 Power (kW)	汽蚀余量 (NPSH)r (m)	序号 Serial number	型号 Type	流量Q Flow Q		扬程 Head (m)	效率 Eff. (%)	转速 Speed (r/min)	功率 Power (kW)	汽蚀余量 (NPSH)r (m)
		(m³/h)	(L/s)								(m³/h)	(L/s)					
10233	ISG80-200	15 25 30	4.17 6.94 8.33	13.2 12.5 11.8	64	1450	2.2	2.8	10262	ISG100-315B	24 40.5 48	6.67 11.25 13.3	22.5 21 19.3	60	1450	5.5	3.0
10234	ISG80-200A	14 23.3 27.9	3.89 6.47 7.75	11.5 11 10.2	63	1450	1.5	2.8	10263	ISG100-125 (I)	50 80 100	13.9 22.2 27.8	5.6 5 4.25	75	1450	2.2	3.0
10235	ISG80-250	15 25 30	4.17 6.94 8.33	21 20 18.8	58	1450	3.0	2.8	10264	ISG100-160 (I)	50 80 100	13.9 22.2 27.8	8.8 8 7	75	1450	3.0	3.0
10236	ISG80-250A	13.3 22.2 26.6	3.69 6.17 7.39	16.6 15.8 14.8	58	1450	2.2	2.8	10265	ISG100-160 (I)A	45 72 90	12.5 20 25	7.2 6.5 5.6	74	1450	2.2	3.0
10237	ISG80-250B	12 20 24	3.33 5.56 6.67	13.6 12.8 12.2	57	1450	1.5	2.8	10266	ISG100-200 (I)	50 80 100	13.9 22.2 27.8	13.5 12.5 11.5	75	1450	5.5	3.0
10238	ISG80-315	15 25 30	4.17 6.94 8.33	32.5 32 31.5	51	1450	5.5	2.8	10267	ISG100-200 (I)A	45 72 90	12.5 20 25	11 10 9.3	73	1450	4.0	3.0
10239	ISG80-315A	13.5 22.5 27	3.38 6.25 6.75	26.4 26 25.6	50	1450	4.0	2.8	10268	ISG100-250 (I)	50 80 100	13.9 22.2 27.8	21.5 20 18.3	72	1450	11.0	3.0
10240	ISG80-315B	12 20 24	3.33 5.56 6.67	21.4 21 20.6	49	1450	3.0	2.8	10269	ISG100-250 (I)A	46.8 75 93.6	13 20.8 26	18.7 17.5 16	71	1450	7.5	3.0
10241	ISG80-125 (I)	30 50 60	8.33 13.9 16.7	6 5 4	74	1450	1.5	3.0	10270	ISG100-250 (I)B	42.5 69 85	11.8 19.2 23.6	16 15 13.7	70	1450	5.5	3.0
10242	ISG80-160 (I)	30 50 60	8.33 13.9 16.7	9.2 8 6.8	74	1450	2.2	3.0	10271	ISG100-315 (I)	50 80 100	13.9 22.2 27.8	33.2 32 29.5	68	1450	15.0	3.0
10243	ISG80-160 (I)A	28 46 56	7.78 12.8 15.6	6.7 6 5.5	73	1450	1.5	3.0	10272	ISG100-315 (I)A	45 75 90	12.5 20.8 25	28.2 27.5 26	66	1450	11.0	3.0
10244	ISG80-200 (I)	30 50 60	8.33 13.9 16.7	13.5 12.5 11.8	72	1450	4.0	3.0	10273	ISG100-315 (I)B	42 70 84	11.7 19.4 23.3	24.8 24 22.6	65	1450	11.0	3.0
10245	ISG80-200 (I)A	26.4 44.7 52.8	7.33 12.4 14.7	10.5 10 9.5	71	1450	3.0	3.0	10274	ISG100-400 (I)	50 80 100	13.9 22.2 27.8	52 50 48.5	65	1450	22	3.0
10246	ISG80-250 (I)	30 50 60	8.33 13.9 16.7	21.3 20 19	67	1450	5.5	3.0	10275	ISG100-400 (I)A	45 75 90	12.5 20.8 25	46 44 43	65	1450	18.5	3.0
10247	ISG80-250 (I)A	28 46 56	7.78 12.8 15.6	18.2 17.0 16.5	66	1450	4.0	3.0	10276	ISG100-400 (I)B	42 70 84	11.7 19.4 23.3	39.5 38 36	63	1450	15.0	3.0
10248	ISG80-250 (I)B	24.0 40.5 48.0	6.67 11.25 13.3	14.0 13.0 12.5	64	1450	3.0	3.0	10277	ISG125-125	60 100 120	16.7 27.8 33.3	6.5 5 4	78	1450	2.2	3.0
10249	ISG80-315 (I)	30 50 60	8.33 13.9 16.7	34 32 30	62	1450	11.0	3.0	10278	ISG125-160	60 100 120	16.7 27.8 33.3	10 8 7	78	1450	4.0	3.0
10250	ISG80-315 (I)A	28 46 56	7.78 12.8 15.6	29.6 27.9 26.1	61	1450	7.5	3.0	10279	ISG125-160A	52 87 104	14.4 24.2 28.9	7.5 6 5.2	76	1450	4.0	3.0
10251	ISG80-315 (I)B	24.0 40.5 48.0	6.67 11.55 13.3	22.5 21 19.3	60	1450	5.5	3.0	10280	ISG125-200	60 100 120	16.7 27.8 33.3	14.5 12.5 11	75	1450	7.5	3.0
10252	ISG100-125	30 50 60	8.33 13.9 16.7	6 5 4	74	1450	1.5	3.0	10281	ISG125-200A	54 89 108	15 24.7 30	11 10 8.9	73	1450	5.5	3.0
10253	ISG100-160	30 50 60	8.33 13.9 16.7	9.2 8 6.8	74	1450	2.2	3.0	10282	ISG125-250	60 100 120	16.7 27.8 33.3	21.5 20 18.5	75	1450	11.0	3.0
10254	ISG100-160A	28 46 56	7.78 12.8 15.6	6.7 6 5.5	73	1450	1.5	3.0	10283	ISG125-250A	56 93.3 112	15.6 25.9 31.1	18.5 17.5 16.0	73	1450	7.5	3.0
10255	ISG100-200	30 50 60	8.33 13.9 16.7	13.5 12.5 11.8	72	1450	4.0	3.0	10284	ISG125-250B	52 87 104	14.4 24.2 28.9	16 15 14	71	1450	7.5	3.0
10256	ISG100-200A	26.4 44.7 52.8	7.33 12.4 14.7	10.5 10 9.5	71	1450	3.0	3.0	10285	ISG125-315	60 100 120	16.7 27.8 3.3	33.5 32 30.5	71	1450	15.0	3.0
10257	ISG100-250	30 50 60	8.33 13.9 16.7	21.3 20 19	67	1450	5.5	3.0	10286	ISG125-315A	55 91 110	15.3 25.3 30.6	28 27 25.6	71	1450	11.0	3.0
10258	ISG100-250A	28 46 56	7.78 12.8 15.6	18.2 17.0 16.5	66	1450	4.0	3.0	10287	ISG125-315B	52 87 104	14.4 24.2 28.9	25 24 23	70	1450	11.0	3.0
10259	ISG100-250B	24 40.5 48	6.67 11.25 13.3	14 13 12.5	64	1450	3.0	3.0	10288	ISG125-400	60 100 120	16.7 27.8 33.3	52 50 48.5	53 65 67	1450	30	3.0
10260	ISG100-315	30 50 60	8.33 13.9 16.7	34 32 30	62	1450	11.0	3.0	10289	ISG125-400A	56 94 112	15.6 26.1 31.1	45.8 44 42	64	1450	22	3.0
10261	ISG100-315A	28 46 56	7.78 12.8 15.6	29.6 27.9 26.1	61	1450	7.5	3.0	10290	ISG125-400B	52 87 104	14.4 24.2 28.9	39 37.5 36.7	62	1450	18.5	3.0



ISG、IHG、YG泵性能参数 performance parameters

序号 Serial number	型号 Type	流量Q Flow Q		扬程 Head (m)	效率 Eff. (%)	转速 Speed (r/min)	功率 Power (kW)	汽蚀余量 (NPSH) _r (m)	序号 Serial number	型号 Type	流量Q Flow Q		扬程 Head (m)	效率 Eff. (%)	转速 Speed (r/min)	功率 Power (kW)	汽蚀余量 (NPSH) _r (m)	
		(m ³ /h)	(L/s)								(m ³ /h)	(L/s)						
10291	ISG125-200 (I)	100	27.8	13	82	1450	11.0	3.0	10320	ISG150-315 (I) B	104	28.9	25.5	65	1450	18.5	3.0	
		160	44.4	12.5							173	48.1	24					75
		200	55.5	11							208	57.8	21.5					76
10292	ISG125-200 (I) A	88	24.4	10.5	81	1450	7.5	3.0	10321	ISG150-400 (I)	120	33.3	53	64	1450	45	3.0	
		143	39.7	10							200	55.6	50					74
		176	48.9	8.8							240	66.7	46					73
10293	ISG125-250 (I)	100	27.8	22.5	81	1450	15.0	3.0	10322	ISG150-400 (I) A	112	31.1	46	62	1450	37	3.0	
		160	44.4	20							187	51.9	44					73
		200	55.5	17							224	62.2	40					73
10294	ISG125-250 (I) A	92	25.6	19	80	1450	11.0	3.0	10323	ISG150-400 (I) B	104	28.9	40	62	1450	30	3.0	
		147	40.8	17							173	48.1	37.5					73
		184	51.1	14.5							208	57.8	34.5					72
10295	ISG125-250 (I) B	84	23.3	15.5	79	1450	7.5	3.0	10324	ISG200-200	120	33.3	14	66	1450	15.0	3.5	
		134	37.2	14							200	55.6	12.5					76
		168	46.6	12							240	66.7	11					76
10296	ISG125-315 (I)	100	27.8	35	63	1450	22	3.0	10325	ISG200-200A	108	30	11.3	63	1450	11.0	3.5	
		160	44.4	32							179	49.7	10					75
		200	55.5	28							216	60	8.9					74
10297	ISG125-315 (I) A	93.5	26	30.5	72	1450	18.5	3.0	10326	ISG200-250	120	33.3	22.5	65	1450	18.5	3.5	
		150	41.7	28							200	55.6	20					76
		187	51.9	24.5							240	66.7	17.5					74
10298	ISG125-315 (I) B	85	23.6	26	71	1450	15.0	3.0	10327	ISG200-250A	112	31.1	19.5	63	1450	15.0	3.5	
		138	38.3	24							187	51.9	17.5					75
		170	47.2	18.5							224	62.2	15.2					72
10299	ISG125-400 (I)	100	27.8	53	62	1450	37	3.0	10328	ISG200-250B	104	28.9	16	62	1450	11.0	3.5	
		160	44.4	50							173	48.9	14					73
		200	55.5	46							208	57.8	12					73
10300	ISG125-400 (I) A	93.5	26	46.5	70	1450	30	3.0	10329	ISG200-315	120	33.3	34	68	1450	30	3.5	
		150	41.7	44							200	55.6	32					78
		187	51.9	40.8							240	66.7	29					80
10301	ISG125-400 (I) B	85	23.6	40	70	1450	30	3.0	10330	ISG200-315A	112	31.1	29.5	65	1450	22	3.5	
		138	38.3	38							187	51.9	28					76
		170	47.2	35							224	62.2	25					76
10302	ISG150-200	100	27.8	13	82	1450	11.0	3.0	10331	ISG200-315B	104	28.9	25.5	65	1450	18.5	3.5	
		160	44.4	12.5							173	48.1	24					75
		200	55.5	11							208	57.8	21.5					76
10303	ISG150-200A	88	24.4	10.5	81	1450	7.5	3.0	10332	ISG200-400	120	33.3	53	64	1450	45	3.5	
		143	39.7	10							200	55.6	50					74
		176	48.9	8.8							240	66.7	46					73
10304	ISG150-250	100	27.8	22.5	81	1450	15.0	3.0	10333	ISG200-400A	112	31.1	46	62	1450	37	3.5	
		160	44.4	20							187	51.9	44					73
		200	55.5	17							224	62.2	40					73
10305	ISG150-250A	92	25.6	19	80	1450	11.0	3.0	10334	ISG200-400B	104	28.9	40	62	1450	30	3.5	
		147	40.8	17							173	48.1	37.5					73
		184	51.1	14.5							208	57.8	34.5					72
10306	ISG150-250B	84	23.3	15.5	79	1450	7.5	3.0	10335	ISG200-200 (I)	240	66.7	14	70	1450	22	4.0	
		134	37.2	14							400	111.1	12					80
		168	46.6	12							480	127.8	11					79
10307	ISG150-315	100	27.8	35	63	1450	22	3.0	10336	ISG200-200 (I) A	216	60	11.4	65	1450	18.5	4.0	
		160	44.4	32							358	99.4	10					78
		200	55.5	28							432	120	9					78
10308	ISG150-315A	93.5	26	30.5	72	1450	18.5	3.0	10337	ISG200-250 (I)	240	66.7	22	70	1450	30	4.0	
		150	41.7	28							400	111.1	20					80
		187	51.9	24.5							480	127.8	16.5					78
10309	ISG150-315B	85	23.6	26	71	1450	15.0	3.0	10338	ISG200-250 (I) A	216	60	17.8	65	1450	22	4.0	
		138	38.3	24							358	99.4	16					78
		170	47.2	18.5							432	120	13.4					76
10310	ISG150-400	100	27.8	53	62	1450	37	3.0	10339	ISG200-250 (I) B	195	54.2	14.5	66	1450	18.5	4.0	
		160	44.4	50							322	89.4	13					76
		200	55.5	46							390	108.3	11					76
10311	ISG150-400A	93.5	26	46.5	70	1450	30	3.0	10340	ISG200-315 (I)	240	66.7	37	70	1450	55	4.0	
		150	41.7	44							400	111.1	32					80
		187	51.9	40.5							480	127.8	28.5					80
10312	ISG150-400B	85	23.6	40	70	1450	30	3.0	10341	ISG200-315 (I) A	220	61.1	31	68	1450	45	4.0	
		138	38.3	38							374	103.9	28					70
		170	47.2	35							440	122.2	24					78
10313	ISG150-200 (I)	120	33.3	14	66	1450	15.0	3.0	10342	ISG200-315 (I) B	204	56.7	26.5	65	1450	37	4.0	
		200	55.6	12.5							346	93.1	24					78
		240	66.7	11							408	113.3	20.5					78
10314	ISG150-200 (I) A	108	30	11.3	63	1450	11.0	3.0	10343	ISG200-400 (I)	240	66.7	55	72	1450	75	4.0	
		179	49.7	10							400	111.1	50					80
		216	60	8.9							480	127.8	46					73
10315	ISG150-250 (I)	120	33.3	22.5	65	1450	18.5	3.0	10344	ISG200-400 (I) A	220	61.1	46	78	1450	75	4.0	
		200	55.6	20							374	103.9	44					78
		240	66.7	17.5							440	122.2	38.5					76
10316	ISG150-250 (I) A	112	31.1	19.5	64	1450	15.0	3.0	10345	ISG200-400 (I) B	204	56.7	39.5	76	1450	55	4.0	
		187	51.9	17.5							347	96.1	38					76
		224	62.2	15.2							408	113.3	33					76
10317	ISG150-250 (I) B	104	28.9	16	73	1450	11.0	3.0	10346	ISG200-510 (I)	280	77.8	87	73	1450	132	4.0	
		173	48.9	14							400	111.1	82					80
		208	57.8	12							520	144	72					77
10318	ISG150-315 (I)	120	33.3	34	68	1450	30	3.0	10347	ISG200-510 (I) A	262	72.8	76	72	1450	110	4.0	
		200	55.6	32							374	103.9	70					79
		240	66.7	29							486	135	63					76
10319	ISG150-315 (I) A	112	31.1	29.5	65	1450	22	3.0	10348	ISG200-510 (I) B	242	67.2	65	71	1450	90	4.0	
		187	51.9	28							346	96.1	60					78
		224	62.2	25							450	125	54					75

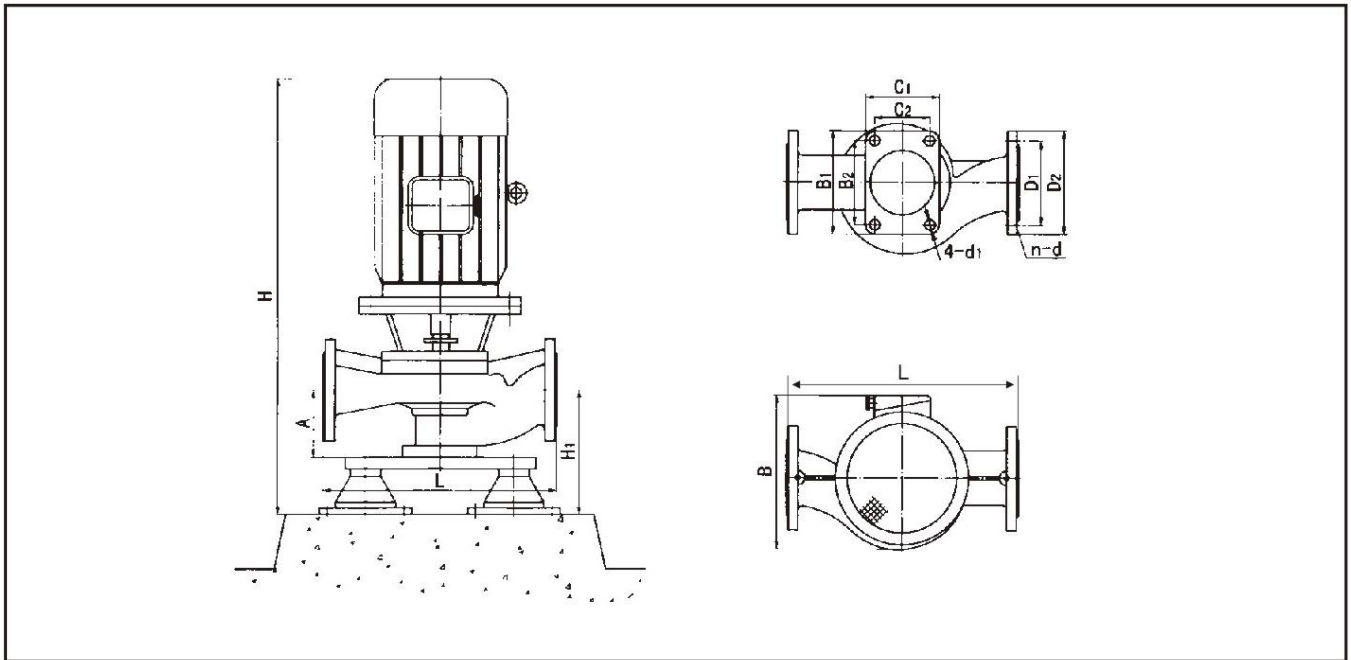


ISG、IHG、YG泵性能参数 performance parameters

序号 Serial number	型号 Type	流量Q Flow Q		扬程 Head (m)	效率 Eff. (%)	转速 Speed (r/min)	功率 Power (kW)	汽蚀余量 (NPSH)r (m)	序号 Serial number	型号 Type	流量Q Flow Q		扬程 Head (m)	效率 Eff. (%)	转速 Speed (r/min)	功率 Power (kW)	汽蚀余量 (NPSH)r (m)
		(m³/h)	(L/s)								(m³/h)	(L/s)					
10349	ISG250-250	320	88.9	23	70	1450	45	5.0	10378	ISG300-500C	425	118	53.2	75	1450	110	5.5
		550	152.8	20	82						50	77					
		640	177.8	17	80						605	158.3	43.8	75			
10350	ISG250-250A	285	79.2	18	81	1450	37	5.0	10379	ISG350-250	480	133.3	23	82	970	75	5.0
		490	136.1	16							800	222.2	20				
		570	158.3	13.5							960	266.7	16				
10351	ISG250-315	320	88.9	35	65	1450	75	5.0	10380	ISG350-250A	430	119.4	18.5	81	970	55	5.0
		550	152.8	32	80						715	198.6	16				
		640	177.8	28	81						860	238.9	13.0				
10352	ISG250-315A	300	83.3	31	80	1450	55	5.0	10381	ISG350-315	480	133.3	35	81	970	90	5.0
		515	143	28							800	222.2	32				
		600	166.7	24.5							960	266.7	27				
10353	ISG250-315B	277	76.9	26	78	1450	45	5.0	10382	ISG350-315A	450	125	30.5	80	970	75	5.0
		476	132.2	24							748	207.8	28				
		554	153.9	21							900	250	23.5				
10354	ISG250-400	320	88.9	54	72	1450	110	5.0	10383	ISG350-315B	416	115.6	26	78	970	75	5.0
		550	152.8	50	81						692	192.2	24				
		640	177.8	46	80						832	231.1	20				
10355	ISG250-400A	300	83.3	47.5	80	1450	90	5.0	10384	ISG350-400	480	133.3	53	80	970	160	5.0
		515	143	44							800	222.2	50				
		600	166.7	40.5							960	266.7	46				
10356	ISG250-400B	277	76.9	40.5	78	1450	75	5.0	10385	ISG350-400A	450	125	46.5	79	970	132	5.0
		476	132.2	37.5							750	208.3	44				
		554	153.9	34.5							900	250	40				
10357	ISG250-480	400	111.1	76	75	1450	160	5.0	10386	ISG350-400B	418	116.1	40	78	970	110	5.0
		550	152.8	70	76						697	193.6	38				
		670	186.1	63	78						836	232.2	34.5				
10358	ISG250-480A	365	101.4	65	74	1450	132	5.0	10387	ISG350-460	1000	277.8	55	74	1450	250	6.0
		500	133.9	60	75						1200	333.3	50				
		600	166.7	54	77						1450	402.8	43				
10359	ISG250-480B	325	90.5	55	73	1450	90	5.0	10388	ISG350-460A	900	250	47	72	1450	200	6.0
		450	125	50	74						1080	300	44				
		530	147.2	42	74						1300	360	39				
10360	ISG300-235	450	125	21	76	970	55	5.0	10389	ISG350-480	610	169.4	71	81	1450	220	5.5
		720	200	18	81						850	236.1	65				
		900	250	15.5	74						1020	283.3	58				
10361	ISG300-235A	410	113.9	17.5	72	970	45	5.0	10390	ISG350-480A	574	159.4	65	80	1450	200	5.5
		657	182.5	15	79						800	222.2	60				
		820	227.8	12.8	72						960	266.7	53				
10362	ISG300-300	450	125	31.5	75	970	75	5.0	10391	ISG350-480B	516	143.3	60	72	1450	160	5.5
		720	200	28	81						720	200	55				
		900	250	25	77						864	240	45				
10363	ISG300-300A	416	115.6	27	75	970	75	5.0	10392	ISG400-400	650	180.6	15	83	970	55	5.0
		666	185	24	80						1080	300	12.5				
		832	231.1	21.5	76						1300	361	11.0				
10364	ISG300-300B	390	108.3	23.5	79	970	55	5.0	10393	ISG400-400A	580	161.1	12	82	970	45	5.0
		623	173.1	21							966	268.3	10				
		780	216.7	18.5							1160	322.2	8.5				
10365	ISG300-380	450	125	48	84	970	132	5.0	10394	ISG400-500	650	180.6	23.5	81	970	90	5.0
		720	200	44							1080	300	20				
		900	250	34							1300	361	18				
10366	ISG300-380A	416	115.6	42	80	970	110	5.0	10395	ISG400-500A	600	166.7	20	80	970	75	5.0
		666	185	38							996	276.7	17				
		832	231.1	30							1200	333.3	15				
10367	ISG300-380B	390	108.3	36	78	970	90	5.0	10396	ISG400-500B	560	155.6	17.5	78	970	55	5.0
		623	173.1	33							935	259.7	15				
		780	216.7	26							1120	311.1	13.2				
10368	ISG300-400	500	128.9	54.5	80	1450	132	5.5	10397	ISG400-625	650	180.6	35	82	970	132	5.0
		720	200	50							1080	300	32				
		900	250	42							1300	361	29				
10369	ISG300-400A	420	127.8	47	78	1450	110	5.5	10398	ISG400-625A	600	166.7	30	81	970	110	5.0
		600	180.6	44							996	276.7	27				
		780	233.3	37							1200	333.3	25				
10370	ISG300-460	480	133.3	71	75	1450	185	5.5	10399	ISG400-625B	560	155.6	26	80	970	90	5.0
		720	200	65	81						935	259.7	24				
		900	250	58	82						1120	311.1	21.5				
10371	ISG300-460A	444	123.3	60	74	1450	160	5.5	10400	ISG500-400	750	208.3	14.5	81	970	75	5.0
		666	185	55	80						1200	333.3	12.5				
		833	231.4	49	81						1500	416.7	11				
10372	ISG300-460B	409	113.6	49	73	1450	110	5.5	10401	ISG500-400A	670	186.1	11.5	80	970	55	5.0
		614	170.6	45	79						1073	298.1	10				
		767	213.1	35	80						1340	372.2	8.8				
10373	ISG300-235 (I)	718	199.4	44.6	82	1450	160	5.5	10402	ISG500-500	750	208.3	24	82	970	110	5.0
		1080	300	40							1200	333.3	20				
		1345	373.6	34.6							1500	416.7	18				
10374	ISG300-235 (I) A	642	178.3	35.7	80	1450	132	5.5	10403	ISG500-500A	690	191.7	20	80	970	90	5.0
		965	268.1	32							1106	307.2	17				
		1203	334.2	27.7							1380	383.3	15				
10375	ISG300-500	540	150	85	78	1450	250	5.5	10404	ISG500-500B	648	180	17.5	80	970	75	5.0
		720	200	80	80						1040	288.9	15				
		900	250	70	78						1296	360	13.5				
10376	ISG300-500A	506	140.6	74.4	77	1450	200	5.5	10405	ISG500-625	750	208.3	35	81	970	160	5.0
		675	187.5	70	79						1200	333.3	32				
		720	3200	61.2	77						1500	416.7	29				
10377	ISG300-500B	468	130	63.8	76	1450	160	5.5	10406	ISG500-625A	690	191.7	29.5	80	970	132	5.0
		625	173.6	60	78						1106	307.2	27				
		667	185.3	52.5	76						1380	383.3	24.5				



ISG型泵安装尺寸表 ISG type pump installation size table



序号 Serial number	型号 Type	外形尺寸 Outline dimension					安装尺寸 Installation dimensions				进出口法兰尺寸 Inlet and outlet flange dimensions			隔振器(垫) Vibration isolator (PAD) 规格 Specifications
		L	B	H	C ₁ × B ₁	A	C ₂ × B ₂	4-d ₁	H ₁	D	D ₁	n-d		
1	15-80	180	160	300	75 × 100	50	45 × 70	4-Φ12	70	G 1/2"	/	/	SD41-0.5	
2	20-110	260	230	405	80 × 110	70	50 × 80	4-Φ12	90	G 3/4"	/	/	SD41-0.5	
3	20-125	260	230	405	80 × 110	70	50 × 80	4-Φ12	90	G 3/4"	/	/	SD41-0.5	
4	20-160	300	230	420	90 × 130	70	60 × 100	4-Φ14	90	G 3/4"	/	/	SD41-0.5	
5	28-110	260	230	415	80 × 110	70	50 × 80	4-Φ12	90	Φ115	Φ85	4-Φ14	SD41-0.5	
6	25-125	260	230	435	80 × 110	80	50 × 80	4-Φ14	100	Φ115	Φ85	4-Φ14	SD41-0.5	
7	25-125A	260	230	435	80 × 110	80	50 × 80	4-Φ14	100	Φ115	Φ85	4-Φ14	SD41-0.5	
8	25-160	300	270	430	90 × 130	75	60 × 100	4-Φ14	95	Φ115	Φ85	4-Φ14	SD41-0.5	
9	25-160A	300	270	415	90 × 130	75	60 × 100	4-Φ14	95	Φ115	Φ85	4-Φ14	SD41-0.5	
10	32-100	270	230	370	110 × 115	70	80 × 85	4-Φ14	90	Φ140	Φ100	4-Φ18	SD41-0.5	
11	32-125	270	230	435	90 × 130	75	60 × 100	4-Φ14	95	Φ140	Φ100	4-Φ18	SD41-0.5	
12	32-125A	270	230	435	90 × 130	75	60 × 100	4-Φ14	95	Φ140	Φ100	4-Φ18	SD41-0.5	
13	32-160	320	280	443	100 × 150	80	65 × 115	4-Φ14	100	Φ140	Φ100	4-Φ18	SD41-0.5	
14	32-160A	320	280	430	100 × 150	80	65 × 115	4-Φ14	100	Φ140	Φ100	4-Φ18	SD41-0.5	
15	32-200	340	300	490	120 × 170	90	80 × 130	4-Φ14	110	Φ140	Φ100	4-Φ18	SD41-0.5	
16	32-200A	340	300	470	120 × 170	90	80 × 130	4-Φ14	110	Φ140	Φ100	4-Φ18	SD41-0.5	
17	40-100	260	230	430	100 × 150	80	65 × 115	4-Φ14	100	Φ150	Φ110	4-Φ18	SD41-0.5	
18	40-100A	260	230	430	100 × 150	80	65 × 115	4-Φ14	100	Φ150	Φ110	4-Φ18	SD41-0.5	
19	40-125	280	230	465	100 × 150	85	65 × 115	4-Φ14	105	Φ150	Φ110	4-Φ18	SD41-0.5	
20	40-125A	280	230	465	100 × 150	85	65 × 115	4-Φ14	105	Φ150	Φ110	4-Φ18	SD41-0.5	
21	40-160	320	260	500	100 × 150	85	65 × 115	4-Φ14	105	Φ150	Φ110	4-Φ18	SD61-0.5	
22	40-160A	320	260	480	100 × 150	85	65 × 115	4-Φ14	105	Φ150	Φ110	4-Φ18	SD61-0.5	
23	40-160B	320	260	460	100 × 150	85	65 × 115	4-Φ14	105	Φ150	Φ110	4-Φ18	SD61-0.5	
24	40-200	340	310	580	120 × 170	90	80 × 130	4-Φ14	110	Φ150	Φ110	4-Φ18	SD61-0.5	
25	40-200A	340	290	560	120 × 170	90	80 × 130	4-Φ14	110	Φ150	Φ110	4-Φ18	SD61-0.5	
26	40-200B	340	260	508	120 × 170	90	80 × 130	4-Φ14	110	Φ150	Φ110	4-Φ18	SD61-0.5	
27	40-250	400	405	600	120 × 170	95	80 × 130	4-Φ14	115	Φ150	Φ110	4-Φ18	SD61-0.5	
28	40-250A	400	405	560	120 × 170	95	80 × 130	4-Φ14	115	Φ150	Φ110	4-Φ18	SD61-0.5	
29	40-250B	400	405	560	120 × 170	95	80 × 130	4-Φ14	115	Φ150	Φ110	4-Φ18	SD61-0.5	
30	40-100(I)	300	240	475	120 × 170	95	80 × 130	4-Φ14	115	Φ150	Φ110	4-Φ18	SD61-0.5	
31	40-100(I)A	300	230	435	120 × 170	95	80 × 130	4-Φ14	115	Φ150	Φ110	4-Φ18	SD61-0.5	
32	40-125(I)	300	260	480	120 × 170	95	80 × 130	4-Φ14	115	Φ150	Φ110	4-Φ18	SD61-0.5	



海洋泵阀

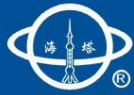
SEA PUMP & VALVE

ISG, IRG, GRG, IHG, YG, IHGB 系列立式离心泵

ISG, IRG, GRG, IHG, YG, IHGB SERIES VERTICAL CENTRIFUGAL PUMP

清水泵系列 Clean water Pump Series

序号 Serial number	型号 Type	外形尺寸 Outline dimension					安装尺寸 Installation dimensions				进出口法兰尺寸 Inlet and outlet flange dimensions			隔振器(垫) Vibration isolator (PAD) 规格 Specifications
		L	B	H	C ₁ × B ₁	A	C ₂ × B ₂	4-d ₁	H ₁	D	D ₁	n-d		
33	40-125(I)A	300	240	470	120 × 170	95	80 × 130	4-Φ14	115	Φ150	Φ110	4-Φ18	SD61-0.5	
34	40-160(I)	340	290	565	120 × 170	95	80 × 130	4-Φ14	115	Φ150	Φ110	4-Φ18	SD61-0.5	
35	40-160(I)A	340	260	515	120 × 170	95	80 × 130	4-Φ14	115	Φ150	Φ110	4-Φ18	SD61-0.5	
36	40-160(I)B	340	260	490	120 × 170	95	80 × 130	4-Φ14	115	Φ150	Φ110	4-Φ18	SD61-0.5	
37	40-200(I)	380	300	580	120 × 170	100	80 × 130	4-Φ14	120	Φ150	Φ110	4-Φ18	SD61-0.5	
38	40-200(I)A	380	300	525	120 × 170	100	80 × 130	4-Φ14	120	Φ150	Φ110	4-Φ18	SD61-0.5	
39	40-200(I)B	360	290	570	120 × 170	95	80 × 130	4-Φ14	115	Φ150	Φ110	4-Φ18	SD41-0.5	
40	40-250(I)	440	410	700	140 × 200	100	100 × 160	4-Φ14	220	Φ150	Φ110	4-Φ18	JG2-2	
41	40-250(I)A	440	360	650	140 × 200	100	100 × 160	4-Φ14	220	Φ150	Φ110	4-Φ18	JG2-2	
42	40-250(I)B	440	350	650	140 × 200	100	100 × 160	4-Φ14	220	Φ150	Φ110	4-Φ18	JG2-2	
43	50-100	290	240	475	100 × 150	95	65 × 115	4-Φ14	115	Φ165	Φ125	4-Φ18	SD41-0.5	
44	50-100A	290	230	435	100 × 150	95	65 × 115	4-Φ14	115	Φ165	Φ125	4-Φ18	SD41-0.5	
45	50-125	300	260	490	100 × 150	95	65 × 115	4-Φ14	115	Φ165	Φ125	4-Φ18	SD41-0.5	
46	50-125A	300	240	480	100 × 150	95	65 × 115	4-Φ14	115	Φ165	Φ125	4-Φ18	SD41-0.5	
47	50-160	320	290	570	120 × 170	100	80 × 130	4-Φ14	120	Φ165	Φ125	4-Φ18	SD61-0.5	
48	50-160A	320	260	520	120 × 170	100	80 × 130	4-Φ14	120	Φ165	Φ125	4-Φ18	SD61-0.5	
49	50-160B	320	260	490	120 × 170	100	80 × 130	4-Φ14	120	Φ165	Φ125	4-Φ18	SD61-0.5	
50	50-200	360	350	640	120 × 170	100	80 × 130	4-Φ14	120	Φ165	Φ125	4-Φ18	SD61-0.5	
51	50-200A	360	310	590	120 × 170	100	80 × 130	4-Φ14	120	Φ165	Φ125	4-Φ18	SD61-0.5	
52	50-200B	360	290	570	120 × 170	100	100 × 150	4-Φ14	120	Φ165	Φ125	4-Φ18	SD61-0.5	
53	50-250	440	430	815	140 × 200	105	100 × 150	4-Φ18	225	Φ165	Φ125	4-Φ18	JG2-2	
54	50-250A	440	360	660	140 × 200	105	100 × 160	4-Φ18	225	Φ165	Φ125	4-Φ18	JG2-2	
55	50-250B	440	350	660	140 × 200	105	100 × 160	4-Φ18	225	Φ165	Φ125	4-Φ18	JG2-2	
56	50-100(I)	320	325	420	140 × 200	100	100 × 160	4-Φ18	120	Φ165	Φ125	4-Φ18	SD41-0.5	
57	50-100(I)A	320	325	405	140 × 200	100	100 × 160	4-Φ18	120	Φ165	Φ125	4-Φ18	SD41-0.5	
58	50-125(I)	340	290	575	140 × 200	105	100 × 160	4-Φ18	125	Φ165	Φ125	4-Φ18	SD61-0.5	
59	50-125(I)A	340	260	525	140 × 200	105	100 × 160	4-Φ18	125	Φ165	Φ125	4-Φ18	SD61-0.5	
60	50-160(I)	360	310	590	140 × 200	100	100 × 160	4-Φ18	120	Φ165	Φ125	4-Φ18	SD61-0.5	
61	50-160(I)A	360	310	590	140 × 200	100	100 × 160	4-Φ18	120	Φ165	Φ125	4-Φ18	SD61-0.5	
62	50-160(I)B	360	290	570	140 × 200	100	100 × 160	4-Φ18	120	Φ165	Φ125	4-Φ18	SD61-0.5	
63	50-200(I)	380	350	645	140 × 200	100	100 × 160	4-Φ18	120	Φ165	Φ125	4-Φ18	SD61-0.5	
64	50-200(I)A	380	350	645	140 × 200	100	100 × 160	4-Φ18	120	Φ165	Φ125	4-Φ18	SD61-0.5	
65	50-200(I)B	380	350	645	140 × 200	100	100 × 160	4-Φ18	120	Φ165	Φ125	4-Φ18	SD61-0.5	
66	50-250(I)	480	435	825	160 × 220	115	120 × 180	4-Φ18	235	Φ165	Φ125	4-Φ18	JG2-2	
67	50-250(I)A	480	435	825	160 × 220	115	120 × 180	4-Φ18	235	Φ165	Φ125	4-Φ18	JG2-2	
68	50-250(I)B	480	420	815	160 × 220	115	120 × 180	4-Φ18	235	Φ165	Φ125	4-Φ18	JG2-2	
69	50-315(I)	550	525	1025	160 × 220	130	120 × 180	4-Φ18	270	Φ165	Φ125	4-Φ18	JG3-2	
70	50-315(I)A	550	475	920	160 × 220	130	120 × 180	4-Φ18	250	Φ165	Φ125	4-Φ18	JG2-2	
71	50-315(I)B	550	475	890	160 × 220	130	120 × 180	4-Φ18	250	Φ165	Φ125	4-Φ18	JG2-2	
72	65-100	320	260	490	140 × 220	100	100 × 160	4-Φ18	120	Φ185	Φ145	4-Φ18	SD41-0.5	
73	65-100A	320	235	480	140 × 220	100	100 × 160	4-Φ18	120	Φ185	Φ145	4-Φ18	SD41-0.5	
74	65-125	340	290	575	140 × 220	105	100 × 160	4-Φ18	125	Φ185	Φ145	4-Φ18	SD61-0.5	
75	65-125A	340	260	525	140 × 220	105	100 × 160	4-Φ18	125	Φ185	Φ145	4-Φ18	SD61-0.5	
76	65-160	360	305	590	140 × 220	100	100 × 160	4-Φ18	120	Φ185	Φ145	4-Φ18	SD61-0.5	
77	65-160A	360	305	590	140 × 220	100	100 × 160	4-Φ18	120	Φ185	Φ145	4-Φ18	SD61-0.5	
78	65-160B	360	290	570	140 × 220	100	100 × 160	4-Φ18	120	Φ185	Φ145	4-Φ18	SD61-0.5	
79	65-200	380	350	645	140 × 220	100	100 × 160	4-Φ18	120	Φ185	Φ145	4-Φ18	SD61-0.5	
80	65-200A	380	350	645	140 × 220	100	100 × 160	4-Φ18	120	Φ185	Φ145	4-Φ18	SD61-0.5	
81	65-200B	380	350	645	140 × 220	100	100 × 160	4-Φ18	120	Φ185	Φ145	4-Φ18	SD61-0.5	
82	65-250	480	435	825	160 × 220	115	120 × 180	4-Φ18	235	Φ185	Φ145	4-Φ18	JG2-2	
83	65-250A	480	435	825	160 × 220	115	120 × 180	4-Φ18	235	Φ185	Φ145	4-Φ18	JG2-2	
84	65-250B	480	415	805	160 × 220	115	120 × 180	4-Φ18	235	Φ185	Φ145	4-Φ18	JG2-2	
85	65-315	550	525	925	160 × 220	130	120 × 180	4-Φ18	270	Φ185	Φ145	4-Φ18	JG3-2	
86	65-315A	550	480	800	160 × 220	130	120 × 180	4-Φ18	250	Φ185	Φ145	4-Φ18	JG2-2	
87	65-315B	550	480	800	160 × 220	130	120 × 180	4-Φ18	250	Φ185	Φ145	4-Φ18	JG2-2	
88	65-100(I)	400	315	530	140 × 200	120	100 × 160	4-Φ18	140	Φ185	Φ145	4-Φ18	SD61-0.5	
89	65-100(I)A	400	300	500	140 × 200	120	100 × 160	4-Φ18	140	Φ185	Φ145	4-Φ18	SD61-0.5	



海洋泵阀

SEA PUMP & VALVE

ISG, IRG, GRG, IHG, YG, IHGB 系列立式离心泵

ISG, IRG, GRG, IHG, YG, IHGB SERIES VERTICAL CENTRIFUGAL PUMP

清水泵系列 Clean water Pump Series

序号 Serial number	型号 Type	外形尺寸 Outline dimension					安装尺寸 Installation dimensions			进出口法兰尺寸 Inlet and outlet flange dimensions			隔振器(垫) Vibration isolator (PAD) 规格 Specifications
		L	B	H	C ₁ × B ₁	A	C ₂ × B ₂	4-φ ₁	H ₁	D	D ₁	n-d	
90	65-125(I)	400	340	610	140 × 200	130	100 × 160	4-φ14	150	φ185	φ145	4-φ18	SD61-0.5
91	65-125(I)A	400	340	560	140 × 200	130	100 × 160	4-φ14	150	φ185	φ145	4-φ18	SD61-0.5
92	65-160(I)	400	350	670	140 × 200	120	100 × 160	4-φ14	140	φ185	φ145	4-φ18	SD61-0.5
93	65-160(I)A	400	350	670	140 × 200	120	100 × 160	4-φ14	140	φ185	φ145	4-φ18	SD61-0.5
94	65-160(I)B	400	350	650	140 × 200	120	100 × 160	4-φ14	140	φ185	φ145	4-φ18	SD61-0.5
95	65-200(I)	450	430	815	140 × 200	130	100 × 160	4-φ14	250	φ185	φ145	4-φ18	JG2-2
96	65-200(I)A	450	430	815	140 × 200	130	100 × 160	4-φ14	250	φ185	φ145	4-φ18	JG2-2
97	65-200(I)B	450	350	660	140 × 200	130	100 × 160	4-φ14	250	φ185	φ145	4-φ18	JG2-2
98	65-250(I)	480	465	770	160 × 220	125	120 × 180	4-φ14	245	φ185	φ145	4-φ18	JG2-2
99	65-250(I)A	480	465	750	160 × 220	125	120 × 180	4-φ14	245	φ185	φ145	4-φ18	JG2-2
100	65-250(I)B	480	465	705	160 × 220	125	120 × 180	4-φ14	245	φ185	φ145	4-φ18	JG2-2
101	65-315(I)	580	530	840	200 × 280	140	160 × 220	4-φ14	280	φ185	φ145	4-φ18	JG3-2
102	65-315(I)A	580	530	840	200 × 280	140	160 × 220	4-φ14	280	φ185	φ145	4-φ18	JG3-2
103	65-315(I)B	580	530	840	200 × 280	140	160 × 220	4-φ14	280	φ185	φ145	4-φ18	JG3-2
104	80-100	400	290	595	140 × 200	120	100 × 160	4-φ14	140	φ200	φ160	8-φ18	SD61-0.5
105	80-100A	400	260	545	140 × 200	120	100 × 160	4-φ14	140	φ200	φ160	8-φ18	SD61-0.5
106	80-125	400	350	670	140 × 200	120	100 × 160	4-φ14	140	φ200	φ160	8-φ18	SD61-0.5
107	80-125A	400	310	620	140 × 200	120	100 × 160	4-φ14	140	φ200	φ160	8-φ18	SD61-0.5
108	80-160	400	350	665	140 × 200	120	100 × 160	4-φ14	140	φ200	φ160	8-φ18	SD61-0.5
109	80-160A	400	350	665	140 × 200	120	100 × 160	4-φ14	140	φ200	φ160	8-φ18	SD61-0.5
110	80-160B	400	350	665	140 × 200	120	100 × 160	4-φ18	140	φ200	φ160	8-φ18	SD61-0.5
111	80-200	430	435	840	140 × 200	130	100 × 160	4-φ18	250	φ200	φ160	8-φ18	JG2-2
112	80-200A	430	435	840	140 × 200	130	100 × 160	4-φ18	250	φ200	φ160	8-φ18	JG2-2
113	80-200B	430	350	680	140 × 200	130	100 × 160	4-φ18	250	φ200	φ160	8-φ18	JG2-2
114	80-250	480	465	820	160 × 220	130	120 × 180	4-φ18	250	φ200	φ160	8-φ18	JG2-2
115	80-250A	480	465	780	160 × 220	130	120 × 180	4-φ18	250	φ200	φ160	8-φ18	JG2-2
116	80-250B	480	465	750	160 × 220	130	120 × 180	4-φ18	250	φ200	φ160	8-φ18	JG2-2
117	80-315	580	530	880	200 × 280	140	160 × 220	4-φ18	280	φ200	φ160	8-φ18	JG3-2
118	80-315A	580	530	840	200 × 280	140	160 × 220	4-φ18	280	φ200	φ160	8-φ18	JG3-2
119	80-315B	580	530	840	200 × 280	140	160 × 220	4-φ18	280	φ200	φ160	8-φ18	JG3-2
120	80-315C	580	530	840	200 × 280	140	160 × 220	4-φ18	260	φ200	φ160	8-φ18	JG3-2
121	80-350	630	610	1100	200 × 270	165	160 × 220	4-φ18	305	φ200	φ160	8-φ18	JG3-2
122	80-350A	630	610	1015	200 × 270	165	160 × 220	4-φ18	305	φ200	φ160	8-φ18	JG3-2
123	80-350B	630	610	975	200 × 270	165	160 × 220	4-φ18	305	φ200	φ160	8-φ18	JG3-2
124	80-100(I)	460	340	625	160 × 220	130	160 × 220	4-φ18	150	φ200	φ160	8-φ18	SD61-0.5
125	80-100(I)A	460	310	605	160 × 220	130	120 × 180	4-φ18	150	φ200	φ160	8-φ18	SD61-0.5
126	80-125(I)	460	415	720	160 × 220	140	120 × 180	4-φ18	160	φ200	φ160	8-φ18	SD61-0.5
127	80-125(I)A	460	415	660	160 × 220	140	120 × 180	4-φ18	160	φ200	φ160	8-φ18	SD61-0.5
128	80-160(I)	480	415	780	160 × 220	140	120 × 180	4-φ18	260	φ200	φ160	8-φ18	JG2-2
129	80-160(I)A	480	415	780	160 × 220	140	120 × 180	4-φ18	260	φ200	φ160	8-φ18	JG2-2
130	80-160(I)B	480	415	780	160 × 220	140	120 × 180	4-φ18	260	φ200	φ160	8-φ18	JG2-2
131	80-200(I)	480	475	925	160 × 220	140	120 × 180	4-φ18	260	φ200	φ160	8-φ18	JG2-2
132	80-200(I)A	480	430	900	160 × 220	140	120 × 180	4-φ18	260	φ200	φ160	8-φ18	JG2-2
133	80-200(I)B	480	430	855	160 × 220	140	120 × 180	4-φ18	260	φ200	φ160	8-φ18	JG2-2
134	80-250(I)	540	510	885	200 × 270	145	160 × 220	4-φ22	285	φ200	φ160	8-φ18	JG3-2
135	80-250(I)A	540	510	885	200 × 270	145	160 × 220	4-φ22	285	φ200	φ160	8-φ18	JG3-2
136	80-250(I)B	540	510	885	200 × 270	145	160 × 220	4-φ22	285	φ200	φ160	8-φ18	JG3-2
137	80-315(I)	630	580	1285	210 × 270	160	160 × 220	4-φ22	300	φ200	φ160	8-φ18	JG3-2
138	80-315(I)A	630	580	1215	210 × 270	160	160 × 220	4-φ22	300	φ200	φ160	8-φ18	JG3-2
139	80-315(I)B	630	580	1125	210 × 270	160	160 × 220	4-φ22	300	φ200	φ160	8-φ18	JG3-2
140	80-315(I)C	630	580	1035	210 × 270	160	160 × 220	4-φ22	300	φ200	φ160	8-φ18	JG3-2
141	100-100	460	340	625	160 × 220	130	120 × 180	4-φ18	150	φ220	φ180	8-φ18	SD61-0.5
142	100-100A	460	310	605	160 × 220	130	120 × 180	4-φ18	150	φ220	φ180	8-φ18	SD61-0.5
143	100-125	460	430	850	160 × 220	130	120 × 180	4-φ18	250	φ220	φ180	8-φ18	JG2-2
144	100-125A	460	350	690	160 × 220	130	120 × 180	4-φ18	250	φ220	φ180	8-φ18	JG2-2
145	100-160	500	430	860	160 × 220	140	120 × 180	4-φ18	260	φ220	φ180	8-φ18	JG2-2
146	100-160A	500	430	860	160 × 220	140	120 × 180	4-φ18	260	φ220	φ180	8-φ18	JG2-2
147	100-160B	500	430	860	160 × 220	140	120 × 180	4-φ18	260	φ220	φ180	8-φ18	JG2-2
148	100-200	485	475	925	160 × 220	140	120 × 180	4-φ18	260	φ220	φ180	8-φ18	JG2-2



海洋泵阀

SEA PUMP & VALVE

ISG, IRG, GRG, IHG, YG, IHGB 系列立式离心泵

ISG, IRG, GRG, IHG, YG, IHGB SERIES VERTICAL CENTRIFUGAL PUMP

清水泵系列 Clean water Pump Series

序号 Serial number	型号 Type	外形尺寸 Outline dimension					安装尺寸 Installation dimensions				进出口法兰尺寸 Inlet and outlet flange dimensions			隔振器(垫) Vibration isolator (PAD) 规格 Specifications
		L	B	H	C ₁ × B ₁	A	C ₂ × B ₂	4-d ₁	H ₁	D	D ₁	n-d		
149	100-200A	485	430	900	160 × 220	140	120 × 180	4-Φ18	260	Φ220	Φ180	8-Φ18	JG2-2	
150	100-200B	485	430	855	160 × 220	140	120 × 180	4-Φ18	260	Φ220	Φ180	8-Φ18	JG2-2	
151	100-250	550	525	1035	160 × 220	140	120 × 180	4-Φ22	280	Φ220	Φ180	8-Φ18	JG3-2	
152	100-250A	550	525	1035	160 × 220	140	120 × 180	4-Φ22	280	Φ220	Φ180	8-Φ18	JG3-2	
153	100-250B	550	525	1035	160 × 220	140	120 × 180	4-Φ22	280	Φ220	Φ180	8-Φ18	JG3-2	
154	100-315	635	700	1270	210 × 270	160	160 × 220	4-Φ22	300	Φ220	Φ180	8-Φ18	JG3-2	
155	100-315A	635	640	1195	210 × 270	160	160 × 220	4-Φ22	300	Φ220	Φ180	8-Φ18	JG3-2	
156	100-315B	635	580	1110	210 × 270	160	160 × 220	4-Φ22	300	Φ220	Φ180	8-Φ18	JG3-2	
157	100-350	680	630	1310	230 × 320	180	190 × 280	4-Φ22	320	Φ220	Φ180	8-Φ18	JG3-2	
158	100-350A	680	630	1260	230 × 320	180	190 × 280	4-Φ22	320	Φ220	Φ180	8-Φ18	JG3-2	
159	100-350B	680	605	1260	230 × 320	180	190 × 280	4-Φ22	320	Φ220	Φ180	8-Φ18	JG3-2	
160	125-100	480	430	820	160 × 220	160	120 × 180	4-Φ22	280	Φ250	Φ210	8-Φ18	JG2-2	
161	125-100A	480	350	700	160 × 220	160	120 × 180	4-Φ22	280	Φ250	Φ210	8-Φ18	JG2-2	
162	125-125	520	385	825	190 × 280	145	150 × 240	4-Φ18	265	Φ250	Φ210	8-Φ18	JG2-2	
163	125-125A	520	350	825	190 × 280V	145	150 × 240	4-Φ18	265	Φ250	Φ210	8-Φ18	JG2-2	
164	125-160	520	475	940	190 × 280	160	150 × 240	4-Φ18	280	Φ250	Φ210	8-Φ18	JG2-2	
165	125-160A	520	475	915	190 × 280	160	150 × 240	4-Φ18	280	Φ250	Φ210	8-Φ18	JG2-2	
166	125-160B	520	475	870	190 × 280	160	150 × 240	4-Φ18	280	Φ250	Φ210	8-Φ18	JG2-2	
167	125-200	570	525	1080	260 × 300	175	210 × 260	4-Φ18	315	Φ250	Φ210	8-Φ18	JG3-2	
168	125-200A	570	525	1080	260 × 300	175	210 × 260	4-Φ18	315	Φ250	Φ210	8-Φ18	JG3-2	
169	125-200B	570	475	975	260 × 300	175	210 × 260	4-Φ22	315	Φ250	Φ210	8-Φ18	JG3-2	
170	125-250	680	560	1150	260 × 300	175	210 × 260	4-Φ22	315	Φ250	Φ210	8-Φ18	JG3-2	
171	125-250A	680	520	1065	260 × 300	175	210 × 260	4-Φ22	315	Φ250	Φ210	8-Φ18	JG3-2	
172	125-250B	680	490	1025	260 × 300	175	210 × 260	4-Φ22	315	Φ250	Φ210	8-Φ18	JG3-2	
173	125-315	680	580	1250	300 × 350	195	250 × 300	4-Φ22	380	Φ250	Φ210	8-Φ18	JG4-2	
174	125-315A	680	580	1250	300 × 350	195	250 × 300	4-Φ22	335	Φ250	Φ210	8-Φ18	JG3-2	
175	125-315B	680	580	1250	300 × 350	195	250 × 300	4-Φ22	335	Φ250	Φ210	8-Φ18	JG3-2	
176	150-200	680	435	800	250 × 300	190	210 × 260	4-Φ22	310	Φ285	Φ240	8-Φ22	JG2-2	
177	150-200A	680	435	755	250 × 300	190	210 × 260	4-Φ22	310	Φ285	Φ240	8-Φ22	JG2-2	
178	150-200B	680	435	730	250 × 300	190	210 × 260	4-Φ22	310	Φ285	Φ240	8-Φ22	JG2-2	
179	150-250	700	540	870	260 × 310	195	210 × 260	4-Φ22	335	Φ285	Φ240	8-Φ22	JG3-2	
180	150-250A	700	540	850	260 × 310	195	210 × 260	4-Φ22	335	Φ285	Φ240	8-Φ22	JG3-2	
181	150-250B	700	540	805	260 × 310	195	210 × 260	4-Φ22	335	Φ285	Φ240	8-Φ22	JG3-2	
182	150-250(I)	700	540	1220	260 × 310	195	210 × 260	4-Φ22	335	Φ285	Φ240	8-Φ22	JG3-2	
183	150-250(I)A	700	540	1150	260 × 310	195	210 × 260	4-Φ22	335	Φ285	Φ240	8-Φ22	JG3-2	
184	150-250(I)B	700	540	1000	260 × 310	195	210 × 260	4-Φ22	335	Φ285	Φ240	8-Φ22	JG3-2	
185	150-315	770	525	1100	250 × 300	195	210 × 260	4-Φ22	335	Φ285	Φ240	8-Φ22	JG3-2	
186	150-315A	770	475	1035	250 × 300	195	210 × 260	4-Φ22	335	Φ285	Φ240	8-Φ22	JG3-2	
187	150-315B	770	475	995	250 × 300	195	210 × 260	4-Φ22	335	Φ285	Φ240	8-Φ22	JG3-2	
188	150-315(I)	770	530	1250	260 × 310	195	210 × 260	4-Φ22	380	Φ285	Φ240	8-Φ22	JG4-2	
189	150-315(I)A	770	500	1050	260 × 310	195	210 × 260	4-Φ22	380	Φ285	Φ240	8-Φ22	JG4-2	
190	150-315(I)B	770	580	1000	260 × 310	195	210 × 260	4-Φ22	335	Φ285	Φ240	8-Φ22	JG3-2	
191	150-350	800	800	1530	300 × 370	225	250 × 300	4-Φ22	410	Φ285	Φ240	8-Φ22	JG4-2	
192	150-350A	800	635	1530	300 × 370	225	250 × 300	4-Φ22	410	Φ285	Φ240	8-Φ22	JG4-2	
193	150-350B	800	635	1290	300 × 370	225	250 × 300	4-Φ22	410	Φ285	Φ240	8-Φ22	JG4-2	
194	150-400	800	585	1150	250 × 300	220	210 × 260	4-Φ22	360	Φ285	Φ240	8-Φ22	JG3-2	
195	150-400A	800	585	1130	250 × 300	220	210 × 260	4-Φ22	360	Φ285	Φ240	8-Φ22	JG3-2	
196	150-400B	800	525	1100	250 × 300	220	210 × 260	4-Φ22	360	Φ285	Φ240	8-Φ22	JG3-2	
197	150-400C	800	475	1045	250 × 300	220	210 × 260	4-Φ22	360	Φ285	Φ240	8-Φ22	JG3-2	
198	200-200	680	435	800	300 × 380	205	250 × 300	4-Φ22	325	Φ340	Φ295	12-Φ22	JG2-2	
199	200-200A	680	435	755	300 × 380	205	250 × 300	4-Φ22	325	Φ340	Φ295	12-Φ22	JG2-2	
200	200-250	845	540	855	300 × 370	215	250 × 300	4-Φ22	355	Φ340	Φ295	12-Φ22	JG3-2	
201	200-250A	845	540	810	300 × 370	215	250 × 300	4-Φ22	355	Φ340	Φ295	12-Φ22	JG3-2	
202	200-250B	845	540	810	300 × 370	215	250 × 300	4-Φ22	355	Φ340	Φ295	12-Φ22	JG3-2	
203	200-315	800	525	1100	270 × 320	195	230 × 280	4-Φ22	335	Φ340	Φ295	12-Φ22	JG3-2	
204	200-315A	800	475	1035	270 × 320	195	230 × 280	4-Φ22	335	Φ340	Φ295	12-Φ22	JG3-2	
205	200-315B	800	475	995	270 × 320	195	230 × 280	4-Φ22	335	Φ340	Φ295	12-Φ22	JG3-2	



海洋泵阀

SEA PUMP & VALVE

ISG, IRG, GRG, IHG, YG, IHGB 系列立式离心泵

ISG, IRG, GRG, IHG, YG, IHGB SERIES VERTICAL CENTRIFUGAL PUMP

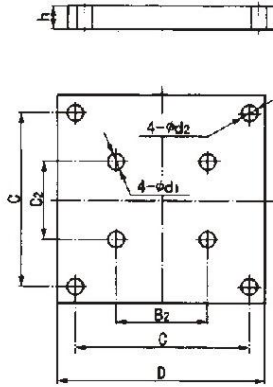
清水泵系列 Clean water Pump Series

序号 Serial number	型号 Type	外形尺寸 Outline dimension					安装尺寸 Installation dimensions				进出口法兰尺寸 Inlet and outlet flange dimensions			隔振器(垫) Vibration isolator (PAD) 规格 Specifications
		L	B	H	C ₁ × B ₁	A	C ₂ × B ₂	4-d ₁	H ₁	D	D ₁	n-d		
206	200-400	860	585	1150	300 × 370	220	250 × 320	4-Φ22	360	Φ340	Φ295	12-Φ22	JG3-2	
207	200-400A	860	585	1130	300 × 370	220	250 × 320	4-Φ22	360	Φ340	Φ295	12-Φ22	JG3-2	
208	200-400B	860	525	1110	300 × 370	220	250 × 320	4-Φ22	360	Φ340	Φ295	12-Φ22	JG3-2	
209	200-400C	860	475	1045	300 × 370	220	250 × 320	4-Φ22	360	Φ340	Φ295	12-Φ22	JG3-2	
210	200-200(I)	810	475	1125	300 × 370	240	250 × 320	4-Φ22	380	Φ340	Φ295	12-Φ22	JG3-2	
211	200-200(I)A	810	475	1045	300 × 370	240	250 × 320	4-Φ22	380	Φ340	Φ295	12-Φ22	JG3-2	
212	200-250(I)	850	525	1145	310 × 370	240	250 × 320	4-Φ22	380	Φ340	Φ295	12-Φ22	JG3-2	
213	200-250(I)A	850	525	1080	310 × 370	240	250 × 320	4-Φ22	380	Φ340	Φ295	12-Φ22	JG3-2	
214	200-250(I)B	850	525	1040	310 × 370	240	250 × 320	4-Φ22	380	Φ340	Φ295	12-Φ22	JG3-2	
215	200-315(I)	860	645	1300	300 × 370	220	250 × 320	4-Φ22	360	Φ340	Φ295	12-Φ22	JG3-2	
216	200-315(I)A	860	585	1215	300 × 370	220	250 × 320	4-Φ22	360	Φ340	Φ295	12-Φ22	JG3-2	
217	200-315(I)B	860	585	1190	300 × 370	220	250 × 320	4-Φ22	360	Φ340	Φ295	12-Φ22	JG3-2	
218	200-400(I)	880	685	1210	300 × 370	240	250 × 320	4-Φ22	425	Φ340	Φ295	12-Φ22	JG3-2	
219	200-400(I)A	880	685	1160	300 × 370	240	250 × 320	4-Φ22	425	Φ340	Φ295	12-Φ22	JG4-2	
220	200-400(I)B	880	685	1090	300 × 370	240	250 × 320	4-Φ22	425	Φ340	Φ295	12-Φ22	JG4-2	
221	200-400(I)C	880	685	1005	300 × 370	240	250 × 320	4-Φ22	425	Φ340	Φ295	12-Φ22	JG4-2	
222	200-500(I)	920	850	1700	300 × 370	240	250 × 320	4-Φ22	425	Φ340	Φ295	12-Φ22	JG4-2	
223	200-500(I)A	920	850	1590	300 × 370	240	250 × 320	4-Φ22	425	Φ340	Φ295	12-Φ22	JG4-2	
224	200-500(I)B	920	700	1420	300 × 370	240	250 × 320	4-Φ22	425	Φ340	Φ295	12-Φ22	JG4-2	
225	200-500(I)C	920	700	1370	300 × 370	240	250 × 320	4-Φ22	425	Φ340	Φ295	12-Φ22	JG4-2	
226	250-250	950	615	1105	350 × 400	235	300 × 350	4-Φ22	420	Φ405	Φ355	12-Φ26	JG4-2	
227	250-250A	950	600	1100	350 × 400	235	300 × 350	4-Φ22	420	Φ405	Φ355	12-Φ26	JG4-2	
228	250-315	1105	640	1350	350 × 400	300	300 × 350	4-Φ22	485	Φ405	Φ355	12-Φ26	JG4-2	
229	250-315A	1105	600	1250	350 × 400	300	300 × 350	4-Φ22	485	Φ405	Φ355	12-Φ26	JG4-2	
230	250-315B	1105	575	1195	350 × 400	300	300 × 350	4-Φ22	485	Φ405	Φ355	12-Φ26	JG4-2	
231	250-400	1200	700	1350	400 × 500	310	300 × 430	4-Φ26	495	Φ405	Φ355	12-Φ26	JG4-2	
232	250-400A	1200	700	1350	400 × 500	310	300 × 430	4-Φ26	495	Φ405	Φ355	12-Φ26	JG4-2	
233	250-400B	1200	555	1300	400 × 500	310	300 × 430	4-Φ26	495	Φ405	Φ355	12-Φ26	JG4-2	
234	250-500	1350	853	1700	400 × 500	350	350 × 450	4-Φ26	535	Φ405	Φ355	12-Φ26	JG4-2	
235	250-500A	1350	853	1700	400 × 500	350	350 × 450	4-Φ26	535	Φ405	Φ355	12-Φ26	JG4-2	
236	250-500B	1350	853	1590	400 × 500	350	350 × 450	4-Φ26	535	Φ405	Φ355	12-Φ26	JG4-2	
237	250-500C	1350	700	1420	400 × 500	350	350 × 450	4-Φ26	535	Φ405	Φ355	12-Φ26	JG4-2	
238	300-235	1200	620	1300	350 × 400	300	300 × 400	4-Φ26	485	Φ460	Φ410	12-Φ26	JG4-2	
239	300-235A	1200	580	1215	350 × 400	300	300 × 400	4-Φ26	485	Φ460	Φ410	12-Φ26	JG4-2	
240	300-235B	1200	550	1165	350 × 400	300	300 × 400	4-Φ26	485	Φ460	Φ410	12-Φ26	JG4-2	
241	300-250	1200	620	1315	350 × 400	300	300 × 400	4-Φ26	485	Φ460	Φ410	12-Φ26	JG4-2	
242	300-250A	1200	580	1230	350 × 400	300	300 × 400	4-Φ26	485	Φ460	Φ410	12-Φ26	JG4-2	
243	300-300	1360	650	1410	400 × 500	370	330 × 430	4-Φ26	555	Φ460	Φ410	12-Φ26	JG4-2	
244	300-300A	1360	650	1360	400 × 500	370	330 × 430	4-Φ26	555	Φ460	Φ410	12-Φ26	JG4-2	
245	300-300B	1360	650	1290	400 × 500	370	330 × 430	4-Φ26	555	Φ460	Φ410	12-Φ26	JG4-2	
246	300-315	1200	650	1400	400 × 500	380	330 × 430	4-Φ26	565	Φ460	Φ410	12-Φ26	JG4-2	
247	300-315A	1200	650	1360	400 × 500	380	330 × 430	4-Φ26	565	Φ460	Φ410	12-Φ26	JG4-2	
248	300-315B	1200	625	1290	400 × 500	380	330 × 430	4-Φ26	565	Φ460	Φ410	12-Φ26	JG4-2	
249	300-400	1310	650	1570	480 × 530	360	430 × 480	4-Φ26	545	Φ460	Φ410	12-Φ26	JG4-2	
250	300-390	1250	630	1300	450 × 500	380	400 × 450	4-Φ26	565	Φ460	Φ410	12-Φ26	JG4-2	
251	300-390A	1250	630	1210	450 × 500	380	400 × 450	4-Φ26	565	Φ460	Φ410	12-Φ26	JG4-2	
252	300-390B	1250	630	1170	400 × 500	380	400 × 450	4-Φ26	565	Φ460	Φ410	12-Φ26	JG4-2	
253	300-480	1360	685	1350	400 × 500	370	300 × 430	4-Φ26	555	Φ460	Φ410	12-Φ26	JG4-2	
254	300-480A	1360	685	1300	400 × 500	370	300 × 430	4-Φ26	555	Φ460	Φ410	12-Φ26	JG4-2	
255	300-480B	1360	685	1210	400 × 500	370	300 × 430	4-Φ26	555	Φ460	Φ410	12-Φ26	JG4-2	
256	350-300	1300	680	1300	450 × 500	360	400 × 450	4-Φ26	545	Φ520	Φ470	16-Φ26	JG4-2	
257	350-315	1300	680	1400	450 × 500	360	400 × 450	4-Φ26	545	Φ520	Φ470	16-Φ26	JG4-2	
258	350-400	1400	680	1820	450 × 500	400	400 × 450	4-Φ26	585	Φ520	Φ470	16-Φ26	JG4-2	
259	400-300	1350	710	1500	450 × 500	400	400 × 450	4-Φ26	585	Φ580	Φ525	16-Φ26	JG4-2	
260	400-315	1350	710	1930	450 × 550	380	400 × 480	4-Φ26	565	Φ580	Φ525	16-Φ26	JG4-2	
261	500-300	1500	750	1985	480 × 550	425	430 × 480	4-Φ26	610	Φ715	Φ650	20-Φ30	JG4-2	
262	500-315	1500	750	1960	480 × 550	425	430 × 480	4-Φ26	610	Φ715	Φ650	20-Φ30	JG4-2	

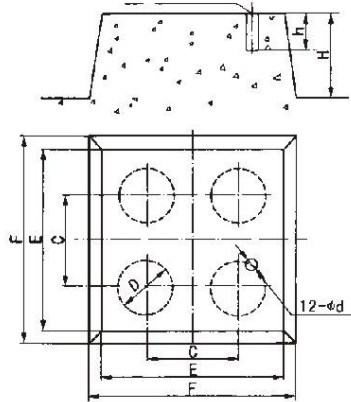


安装说明 Installation instructions

联接板
Connecting plate

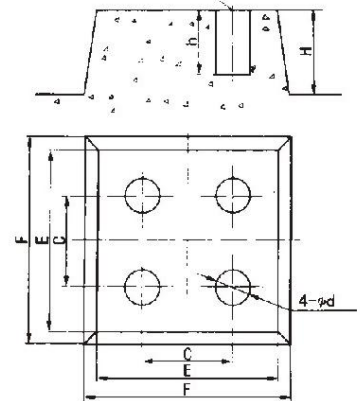


柔性联接基础图
配联接板加隔器安装
Flexible connection Foundation
Equipped with plate and spacer installation



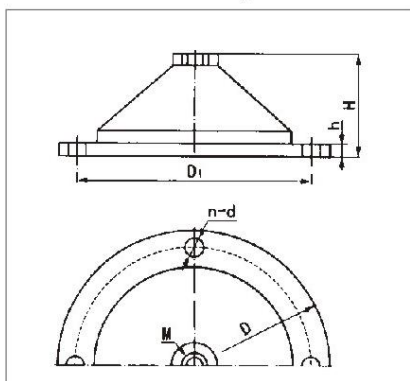
柔(硬)性联接基础图 配联接板加隔振垫安装
(配联接板直接安装)

Flexible (hard) connection based on the basic map with the connection plate and vibration isolation pad installation (direct installation of distribution board)



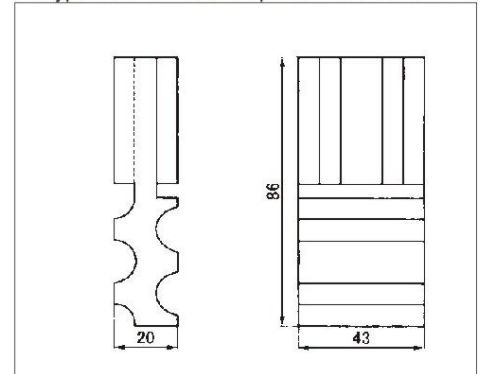
型号 Type	联接板尺寸 Connecting plate size						柔性联接基础尺寸 Flexible connection base size						硬性联接基础尺寸 Rigid connection base size						
	C ₂ × B ₂	C	D	Φd ₁	Φd ₂	h	H	E	F	C	ΦD	Φd ₃	h	H	E	F	C	Φd	h
1	45 × 70	240	300	14	14	55	200	450	500	240	/	/	/	200	450	500	240	60	200
2	50 × 80	240	300	14	14	55	200	450	500	240	/	/	/	200	450	500	240	60	200
3	60 × 100	240	300	14	14	55	200	450	500	240	/	/	/	200	450	500	240	60	200
4	70 × 120	240	300	18	16	55	200	450	500	240	/	/	/	200	450	500	240	60	200
5	80 × 130	240	300	18	16	55	200	450	500	240	/	/	/	200	450	500	240	60	200
6	100 × 160	340	400	18	16	55	250	650	700	340	同隔振器 Just the same with D ₁	Φ 14.5	60	250	650	700	340	80	250
7	120 × 180	340	400	22	16	55	250	650	700	340		Φ 14.5	60	250	650	700	340	80	250
8	150 × 240	340	400	22	16	55	250	650	700	340		Φ 14.5	60	250	650	700	340	80	250
9	160 × 220	340	400	22	16	55	250	650	700	340		Φ 14.5	60	250	650	700	340	80	250
10	210 × 260	440	500	22	18	55	300	750	800	440		Φ 14.5	60	300	750	800	440	80	250
11	230 × 280	440	500	22	18	55	300	750	800	440		Φ 14.5	60	300	750	800	440	80	250
12	250 × 320	540	600	22	18	55	300	800	850	540		Φ 14.5	60	300	800	850	540	80	250
13	300 × 350	740	800	22	20	55	350	1000	1100	740		Φ 14.5	60	350	1000	1100	740	80	250
14	300 × 400	740	800	22	20	55	350	1000	1100	740		Φ 14.5	60	350	1000	1100	740	80	250
15	350 × 350	740	800	26	20	55	350	1000	1100	740		Φ 14.5	60	350	1000	1100	740	80	250
16	400 × 450	740	800	26	20	55	350	1000	1100	740		Φ 14.5	60	350	1000	1100	740	80	250

JG型隔振器安装尺寸 JG type vibration isolator installation dimensions



型号 Type	M	D	D ₁	H	n-d
JG2-2	12	150	130	65	4-5
JG3-2	16	200	170	87	4-5
JG3-3	16	200	170	87	4-5
JG4-1	20	290	260	133	4-8
JG4-2	20	290	260	133	4-8

SD型隔振垫0.5基本块安装尺寸 SD type vibration isolation pad 0.5 basic block size





安装说明 Installation instructions

电机功率 Motor power	机械密封规格 Mechanical seal	轴承规格 Bearing size
0.25、0.37kW	WM104-14	180202
0.55、0.75、1.1kW	WM109-18	180204
1.5、2.2kW	WM109-20	180205
3kW	WM109-25	180206
4kW	WM109-25	180306
5.5、7.5kW(2极 Pole)	WM109-25	180308
7.5kW(4极 Pole)	WM109-35	180308
11、15kW(2、4极 Pole)、18.5kW(2极 Pole)	WM109-35	6309、180309
18.5、22kW(4极 Pole)	WM109-45	6311、180311
22kW(2极 Pole)	WM109-35	6311、180311
30、37kW(2极 Pole)	WM109-45	6312、180312
30kW(4极 Pole)	WM109-45	6312、180312
37kW(4极 Pole)、45kW(2、4极 Pole)	WM109-45	6313、180313
55kW(2、4极 Pole)	WM109-55	6314、180314
75kW(2、4极 Pole)、90kW(2、4极 Pole)	WM109-50	6317、180317
110kW(4极 Pole)	WM109-55	6319、180319
132、160kW(4极 Pole)	WM109-75	6319、180319



故障原因及排除方法 Failure causes and elimination methods

故障现象 Failure phenomena	可能产生的原因 Possible causes	排除方法 Elimination method
1、水泵不出水 1. the pump does not water	<ul style="list-style-type: none"> a. 进出口阀门未打开, 进出管道阻塞, 叶轮流道阻塞 b. 电机运行方向不对, 电机缺相转速很慢 c. 吸入管漏气 d. 泵没灌满液体, 吸程过高, 底阀漏水 e. 进出供水不足, 吸程过高, 底阀漏水 f. 管路阻力过大, 泵选型不当 <p>a. import and export of the valve is not open, in and out of the duct obstruction, the impeller channel blocking</p> <p>b. motor running direction is not right, the motor phase speed is slow</p> <p>c. suction pipe leakage</p> <p>d. pump is not filled with liquid, suction valve is too high, Water Leakage</p> <p>e. import water supply suction valve is too high, Water Leakage</p> <p>f. pipeline resistance is too large, pump selection is improper</p>	<ul style="list-style-type: none"> a. 检查, 去除阻塞物 b. 调整电机转向, 紧固电机接线 c. 拧紧各密封面, 排除空气 d. 打开泵上盖或打开排气阀, 排尽空气 e. 停机检查、调整(并网自来水管和带吸程使用易出现此现象) f. 减少管路弯道, 重新选泵 <p>a. check to remove obstruction</p> <p>b. adjust motor steering, fastening motor wiring</p> <p>c. tighten the cover and remove the air.</p> <p>d. open the pump cover or open the exhaust valve, exhaust air</p> <p>e. stop check and adjust (tap water pipe and with suction process use This phenomenon is easy to appear)</p> <p>f. to reduce the pipeline bend, re election pump</p>
2、水泵流量不足 2. pump flow is insufficient	<ul style="list-style-type: none"> a. 先按1.原因检查 b. 管道、泵流道或叶轮部分阻塞, 水垢沉积阀门开度不足 c. 电压偏低 d. 叶轮磨损 <p>a. check for 1 reasons.</p> <p>b. pipeline, pump impeller or partial obstruction, scale/lack of deposition valve opening</p> <p>c. voltage is low</p> <p>d. impeller wear</p>	<ul style="list-style-type: none"> A. 先按1.排除 b. 去除阻塞物, 重新调整阀门开度 c. 稳压 d. 更换叶轮 <p>a. to press 1 to exclude</p> <p>b. remove obstruction, re adjust the valve opening</p> <p>c. voltage regulator</p> <p>d. replace impeller</p>
3、功率过大 3. the power is too large	<ul style="list-style-type: none"> a. 超过额定流量使用 b. 吸程过高 c. 泵轴承磨损 <p>a. the use of more than the rated flow</p> <p>b. suction process is too high</p> <p>c. pump bearing wear</p>	<ul style="list-style-type: none"> a. 调节流量, 关小出口阀门 b. 降低 c. 更换轴承 <p>a. regulate flow, close the small outlet valve</p> <p>b. reduction</p> <p>c. replace bearing</p>
4、杂音振动 4. noise vibration	<ul style="list-style-type: none"> a. 管路支撑不稳 b. 液体混有气体 c. 产生汽蚀 d. 轴承损坏 e. 电机超载运行 <p>a. pipeline support instability</p> <p>b. liquid mixed with gas</p> <p>c. generated cavitation</p> <p>d. bearing damage</p> <p>e. motor overload operation</p>	<ul style="list-style-type: none"> a. 稳固管路 b. 提高吸入压力, 排气 c. 降低真空度 d. 更换轴承 e. 调整按5. <p>a. solid line</p> <p>b. to raise the suction pressure, exhaust</p> <p>c. vacuum reduction</p> <p>d. replace bearing</p> <p>e. adjusted by 5</p>
5、电机发热 5. motor fever	<ul style="list-style-type: none"> a. 流量过大、超载运行 b. 局部磨擦 c. 电机轴承损坏 d. 电压不足 <p>a. traffic is too large, overload operation</p> <p>b. local friction</p> <p>c. motor bearing damage</p> <p>d. voltage deficiency</p>	<ul style="list-style-type: none"> a. 关小出口阀门 b. 检查排除 c. 更换轴承 d. 稳压 <p>a. off small outlet valve</p> <p>b. check out</p> <p>c. replace bearing</p> <p>d. voltage regulator</p>
6、水泵漏水 6. water pump leakage	<ul style="list-style-type: none"> a. 机械密封磨损 b. 泵体有砂孔或破裂 c. 密封面不平整 d. 安装螺栓松懈 <p>a. mechanical seal wear</p> <p>b. pump body with sand holes or broken</p> <p>c. sealing surface is not smooth</p> <p>d. mounting bolt loose</p>	<ul style="list-style-type: none"> a. 更换 b. 焊补或更换 c. 修整 d. 紧固 <p>a. replacement</p> <p>b. welding repair or replacement</p> <p>c. trim</p> <p>d. fastening</p>