

由于我们在不断努力改进产品，我们保留样本数据更改的权利，敬主谅解。



排污水泵系列
Sewage Pump Series



Shanghai Sea
Pump & Valve Mfg Co.,Ltd

上海海洋泵阀制造有限公司

地址：上海市松江区玉佳西路84号
电话：(0086)-021-63546554 63803848
传真：(0086)-021-33550508
网址：www.sea-pump.com
邮箱：seapump@foxmail.com

ADD: 84# yujia west road songjiang shanghai
TEL: (0086)-021-63546554 63803848
FAX: (0086)-021-33550508
Http://www.sea-pump.com
E-mail:seapump@foxmail.com

SEAPUMP

上海海洋泵阀制造有限公司
SHANGHAI SEA PUMP & VALVE MFG CO.,LTD



企业简介+ ABOUTUS

在离心泵制造领域,上海海洋泵阀制造有限公司是中国大型的制造商之一,是专业生产水泵、生活消防成套智能控制给水设备及水泵智能电气控制设备的大型企业,下设十六大分公司及二十几个售后服务中心,遍布全国各大中城市,为海洋创造快速的售后服务打下坚实的基础。

海洋泵阀始终致力于科技和管理的创新,开发出适用于工矿企业、城市供水、城市污水处理、农田排灌、石油化工、高层建筑供水消防、空调供暖等各行各业的用泵。产品发往东南亚和欧洲等地区,以可靠的性能和合理的价格受到国内外用户的青睐。

海洋泵阀现有员工800多名,其中工程技术人员50余名,占地面积80余亩,固定资产2亿元,拥有现代化的微机控制的测试设备,保证了每一台产品合格出厂,年生产各类水泵90000台,“上海海洋泵阀制造有限公司”已成为以水泵生产为龙头,集科、工、贸于一体的多门类,管理现代化的大型企业。

海洋泵阀目前能生产30多个系列,上万种规格,适用于工矿企业、城市供水、城市污水处理、石油化工、农业排灌等行业的用泵。主导产品DL、LG、GDL、CDL、TSWA系列高层建筑给水泵被国家建设部批准为工程建设推荐产品。

海洋泵阀秉承“产品决定前途、质量决定命运、效益决定兴衰、素质决定成败”的经营理念,不断开拓进取锐意进取,铸就客户百分之百满意工程;ISO9001-2008质量体系品质保证,以及快速反应售后服务和定期咨询双重服务保障。

海洋泵阀以人为本,以诚待人,以国际质量管理体系为管理标准不断拓展相关领域--承揽环保工程、提供成套生活供水和消防设施,制造出优质、高效、节能的国际产品,服务于人类建设美好家园!

In the centrifugal pump manufacturing field, Shanghai Sea Pump & Valve Manufacturing Co.,Ltd. is one of the biggest manufacturers in China and a big joint-stock enterprise specializing in producing water pumps, domestic and fire intelligent control water supply systems and intelligent electric control devices for water pumps. It has 16 branches and over 20 after service centers throughout middle and big cities of China, laying a solid foundation for Sea's fast after service.

Sea pump & valve has all along been committed to innovation in technology and management to develop pumps applicable for all industries, like industrial and mining enterprises, urban water supply, urban sewage treatment, farmland irrigation and drainage, petrochemical industry, water supply and fire control for high-rise buildings, air conditioning and heating. Its products are exported to Southeast Asia, Europe and so on, which have won favor of both domestic and foreign users on the strength of their reliable performance and fair price.

Sea pump & valve now has more than 800 employees, including more than 50 engineers and technicians. It covers a floor area of 80-plus mu and has fixed assets exceeding RMB200 million. Boasting modern testing equipment with microcomputer control, it guarantees acceptability of every product to be delivered. With an annual production capacity of 90000 sets of water pumps of different kinds, Shanghai Sea Pump & Valve Manufacturing Co., Ltd. has become a big and diversified enterprise with modern management, which is led by production of water pumps and integrates scientific research, industry and trade.

At present Sea Pump & Valve is able to produce more than 30 pump lines with more than tens of thousands of specifications, applicable for such industries as industrial and mining enterprises, urban water supply, urban sewage treatment, petrochemical industry and agricultural irrigation and drainage. Its main products, DL, LG, GDL, CDL and TSWA high-rise water supply pump lines, have been approved as Recommended Product for Engineering Construction by the Ministry of Construction.

Upholding this operational concept: products tell the prospect, quality tells the fate, benefits tell ups or downs while accomplishments tell success or failure. Sea Pump & Valve has been opening up and advancing continually to make project satisfying customers 100%; quality assurance by ISO9001-2008 plus double service guarantee: quick-response after service and periodical consultations.

Being people-friendly and treating others sincerely, Sea Pump & Valve has been extending towards relevant fields with the management standard of international Quality Management System, undertaking environmental protection projects, providing domestic water supply and fire fighting systems, manufacturing high-quality, high-efficiency and energy-saving international products and serving the mankind to build a beautiful home!

目录 Contents

WQ、QW系列无堵塞潜水排污泵	01
JYWQ、JPWQ系列自动搅匀排污泵	11
LW、WL系列无堵塞立式排污泵	17
GW系列无堵塞管道式排污泵	22
YW系列无堵塞液下式排污泵	25
AS、AV系列撕裂式潜水排污泵	30
ZW(ZWL)系列无堵塞自吸式排污泵	32
NL型污水泥浆泵	34
HYWT污水提升装置	35
WQ、QW Non-clogging Submersible Sewage Pump	01
JYWQ and JPWQ Automatic Homogenizing Sewage Pump	11
LW、(WL) Non-clogging Vertical Sewage Pump	17
GW Non-clogging Pipeline Sewage Pump	22
YW Non-clogging Submersible Sewage Pump Series	25
AS and AV Tearing Submersible Dredge Pumps Series	30
ZW Non-clogging Self-priming Sewage Pump Series	32
NL type sewage mud pump	34
HYWT Wastewater lifting device	35



海洋泵阀

SEA PUMP & VALVE

WQ、QW系列无堵塞潜水排污泵

WQ,QW NON-CLOGGING SUBMERSIBLE SEWAGE PUMP

排污泵系列 Sewage Pump Series



WQ系列无堵塞固定式潜水排污泵

WQ Series Non-clogging Fixed Submersible Sewage Pump



(30KW以下包含30KW)
(30KW below contains 30KW)

(30KW以上)
(more than 30 kw)

QW系列无堵塞移动式潜水排污泵

WQ Series Non-clogging Movable Submersible Sewage Pump

产品概况

WQ、QW系列无堵塞潜水排污泵严格按照有关国家标准进行设计、制造和检验。供排送工商业污水、生活污水、城市污水处理厂排水系统、人防系统排水站、自来水厂的给水之用。输送液体的流量范围为8~5400m³/h，扬程范围为6~60m，配套功率范围为0.75~280kW，口径范围为φ25~φ600mm。

适用范围

WQ、QW系列无堵塞潜水排污泵适用于工厂商业严重污染废水的排放、住宅区的污水排污站、城市污水处理厂排水系统、人防系统排水站、自来水厂的给水设备，医院、宾馆的污水排放、市政工程建筑工地、勘探、矿山配套附机、农村沼气池、农田灌溉等行业，输送带颗粒的污水、污物，也可用于清水及带腐蚀性介质。

工作条件

介质温度不超过60℃，介质重度为1~1.3kg/dm³
无内自流循环冷却系统的泵，电机部分露出液面不超过1/3；
铸铁材质的使用范围PH5~9；
1Cr18Ni9Ti不锈钢材质可使用一般腐蚀性介质；
使用环境海拔高度不超过1000米，超过时应在订货时提出，以便为您提供更可靠的产品；
注：用户如有特殊的温度、介质等要求，请在订货时注明输送介质的详细情况，以便本公司提供更为可靠之产品。

Product Introduction

WQ and QW non-clogging submersible sewage pump series are designed, manufactured and inspected strictly in accordance with relevant standards of China, applicable for drainage and supply of industrial, commercial and domestic sewage, drainage systems in municipal sewage treatment plants, drainage stations of civil air defense systems and water supply of water plants. The flow range of working liquids is within 8~5400m³/h, lift head range within 6~60m, related power range within 0.75~280kW and diameter range within φ25~φ600mm.

Scope of application

WQ and QW non-clogging submersible sewage pump series are applicable for transporting granular sewage and filth or clear water and corrosive media in such industries as discharge of industrial and commercial waste water seriously polluted, sewage discharge stations of residential areas, drainage systems of urban sewage treatment plants, drainage stations of civil air defense systems, water supply systems of water plants, sewage discharge of hospitals and hotels, construction sites of civil works, supportive auxiliary machinery for exploration and mining, rural methane tanks and farmland irrigation.

Working Conditions

The medium temperature shall not exceed 60℃ and the medium's unit weight is within 1~1.3kg/dm³.
As for those pumps without the internal gravitational flow circulation and cooling system, the exposed motor part out of the liquid surface shall not exceed 1/3;
The application scope of the cast iron material is PH5~9;
The 1Cr18Ni9Ti stainless steel material is applicable for general corrosive media;
The height above sea level of the working environment shall not go beyond 1,000m, and if beyond, it shall be noted in your order so as to provide more reliable products for you;
Note: If the user has special requirements for temperature, medium and the like, please note the details on the working medium in the order so that our company can provide more reliable products.



海洋泵阀

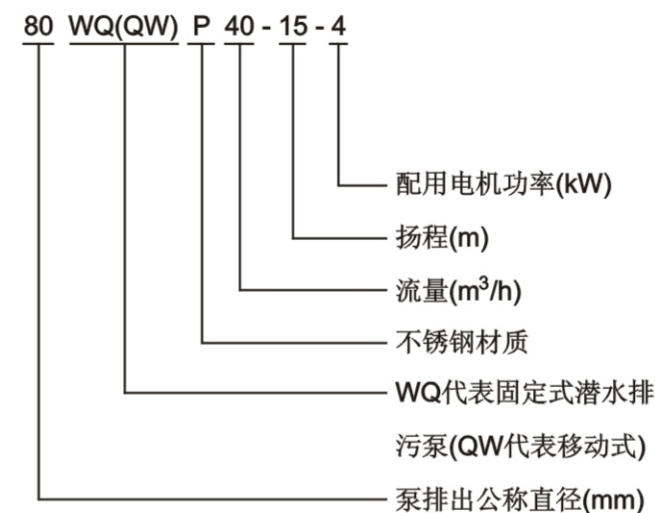
SEA PUMP & VALVE

WQ、QW系列无堵塞潜水排污泵

WQ,QW NON-CLOGGING SUBMERSIBLE SEWAGE PUMP

排污泵系列 Sewage Pump Series

型号意义



产品特点

采用独特的单叶片或双叶片叶轮结构，大大提高了物的通过能力，能有效的通过泵口径的5倍纤维物质与直径为泵口径约50%的固体颗粒；

机械密封采用新型硬质合金耐腐的碳化钨材料，同时将密封改进为双端面密封，使其长期处于油室内运行，可使泵安全连续运行8000小时以上；

结构紧凑、体积小、噪声小、节能效果显著，检修方便，无需泵房，潜水即可工作，大大减少工程造价；

该泵密封油室内设置有高精度抗干扰漏水检测传感器，及定子绕组内预埋了热敏元件，对水泵电机绝对保护；

可根据用户需要配备全自动安全保护控制柜，对泵的漏水、漏电、过载及超温等进行绝对保护，提高了产品的安全性与可靠性；

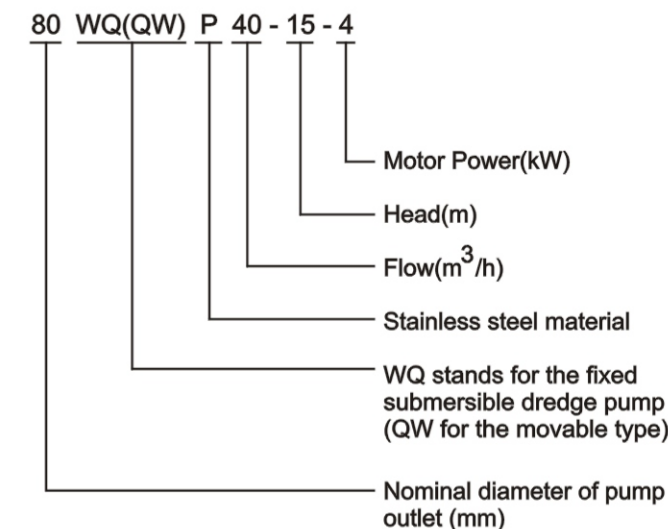
浮球开关可以根据所需液位变化，自动控制泵的启动与停止，不需专人看管，使用极为方便；

可根据用户需要配备双导轨自动耦合安装系统，它给安装、维修带来极大方便，人可不必为此而进入污水坑；

能够在全扬程范围内使用，而保证电机不会过载；

有两种不同的安装方式，固定式自动耦合安装系统、移动式自由安装系统。

Type Designation



Product features

It adopts the unique single/double-blade impeller structure, which can allow the effective passing of fiber matters with a diameter being 5 times of the pump diameter and also solid particles with a diameter being about 50% of the pump diameter, thus improving the trafficability of filth greatly;

Its mechanical seal adopts a new hard-alloy and corrosion-resistant tungsten carbide material plus improved double end faces so that it can function in the oil chamber for long, making the pump available for safe and continuous operation for more than 8,000 hours;

It boasts a compact and integrated structure, low noise, a noticeable energy-saving effect and being easy for overhaul without building up a pump room because it can be directly submerged to work, thus reducing the project cost greatly;

The inside of its seal oil chamber is provided with a high-precision anti-jamming sensor for water leakage detection and the thermal elements are buried inside the stator winding in advance for absolute protection for the water pump motor;

A fully automatic control cabinet is optional in accordance with user needs for absolute protection for the pump from water leakage, creepage, overload, overtemperature and so on, thus improving the safety and reliability of the product;

The floating ball switch can control the pump to start and stop automatically in accordance with the required change of liquid level, thus unnecessary for specific personnel in charge and very easy for use;

It can be provided with an optional double-guide automatic coupling installation system in accordance with user needs, which extremely facilitates installation and maintenance, so the user needn't pass in and out of the sump;

It is available for use within the total head while ensuring to keep the motor from overload;

It is available for two different installation modes: fixed automatic coupling and removable free installation systems.



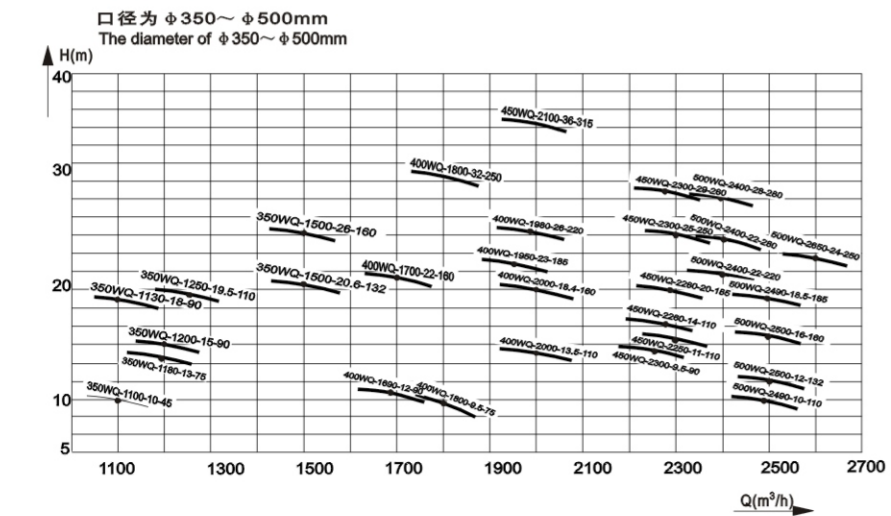
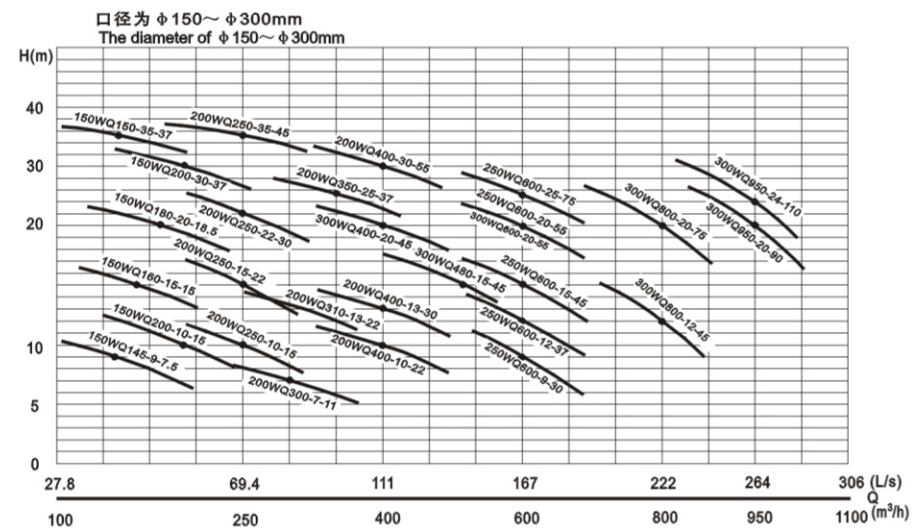
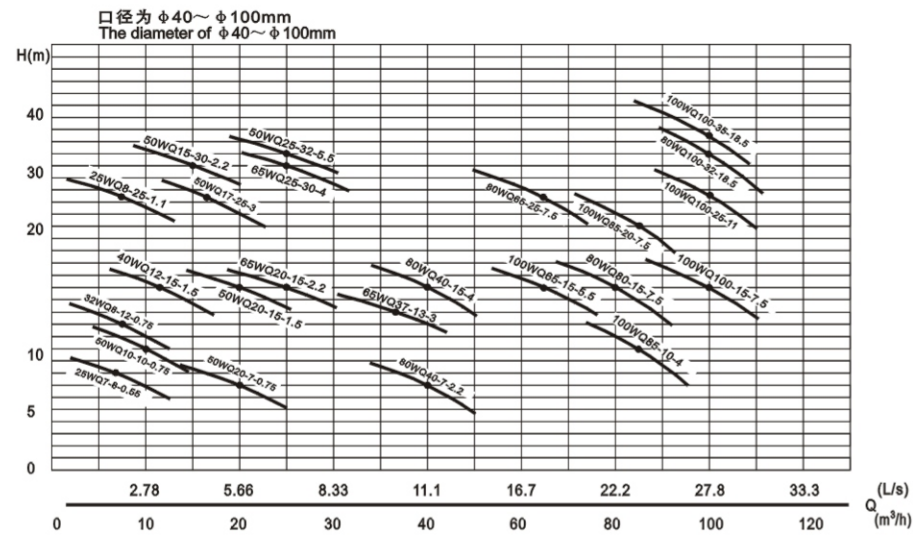
海洋泵阀

SEA PUMP & VALVE

WQ、QW系列无堵塞潜水排污泵
WQ,QW NON-CLOGGING SUBMERSIBLE SEWAGE PUMP

排污泵系列 Sewage Pump Series

WQ、QW型泵曲线图 WQ、QW Type Pump Diagram



注：QW, YW, LW(WL), GW曲线图与WQ型相同。
Note: The curve chart of QW is the same as that of WQ.



海洋泵阀

SEA PUMP & VALVE

WQ、QW系列无堵塞潜水排污泵
WQ,QW NON-CLOGGING SUBMERSIBLE SEWAGE PUMP

排污泵系列 Sewage Pump Series

WQ系列无堵塞固定式潜水排污泵性能参数表

Performance Parameter Table of WQ Non-clogging Fixed Submersible Sewage Pump Series

口径 Caliber (mm)	型号 Type	流量 Flow (m³/h)	扬程 Head (m)	转速 Speed (r/min)	功率 Power (kW)	效率 Eff. (%)	自动耦合器 Automatic coupler		
25	25WQ8-12-0.75	8	12	2900	0.75	45	GAK-50		
	25WQ8-22-1.1	8	22	2900	1.1	45			
32	32WQ8-12-0.75	8	12	2900	0.75	48	GAK-50		
	32WQ8-22-1.1	8	22	2900	1.1	62			
40	40WQ12-15-1.5	12	15	2900	1.5	54	GAK-50		
50	50WQ20-7-0.75	20	7	2900	0.75	51	GAK-50		
	50WQ10-10-0.75	10	10	2900	0.75	52			
	50WQ20-15-1.5	20	15	2900	1.5	53			
	50WQ15-30-2.2	15	30	2900	2.2	54			
	50WQ42-9-2.2	42	9	2900	2.2	49			
	50WQ30-10-2.2	30	10	2900	2.2	50			
	50WQ17-25-3	17	25	2900	3	52			
	50WQ40-15-4	40	15	2900	4	60			
	50WQ25-32-5.5	25	32	2900	5.5	58			
50WQ20-40-7.5	20	40	2900	7.5	59				
65	65WQ25-15-2.2	25	15	2900	2.2	50	GAK-65		
	65WQ37-13-3	37	13	2900	3	57			
	65WQ25-30-4	25	30	2900	4	61			
	65WQ30-30-5.5	30	30	2900	5.5	60			
	65WQ30-40-7.5	30	40	2900	7.5	56			
	65WQ35-50-11	35	50	2900	11	45			
65WQ35-60-15	35	60	2900	15	65				
80	80WQ40-7-2.2	40	7	1450	2.2	59	GAK-80		
	80WQ43-13-3	43	13	2900	3	70			
	80WQ50-7-3	50	7	2900	3	71			
	80WQ40-15-4	40	15	2900	4	61			
	80WQ50-20-5.5	50	20	2900	5.5	67			
	80WQ65-25-7.5	65	25	2900	7.5	63			
	80WQ80-15-7.5	80	15	2900	7.5	64			
	80WQ80-15-7.5	80	15	2900	7.5	64			
100	100WQ70-7-3	70	7	1450	3	74	GAK-100		
	100WQ85-10-4	85	10	1450	4	72			
	100WQ60-15-4	60	15	1450	4	69			
	100WQ65-15-5.5	65	15	1450	5.5	65			
	100WQ100-15-7.5	100	15	1450	7.5	63			
	100WQ85-20-7.5	85	20	1450	7.5	75			
	100WQ100-25-11	100	25	1450	11	72			
	100WQ100-30-15	100	30	1450	15	72			
	100WQ100-35-18.5	100	35	1450	18.5	75			
150	150WQ145-9-7.5	145	9	1450	7.5	76	GAK-150		
	150WQ110-15-7.5	110	15	1450	7.5	71			
	150WQ200-10-15	200	10	1450	15	73			
	150WQ180-15-15	180	15	1450	15	69			
	150WQ180-20-18.5	180	20	1450	18.5	72			
	150WQ150-26-18.5	150	26	1450	18.5	52			
	150WQ180-25-22	180	25	1450	22	78			
	150WQ200-25-30	200	25	1450	30	76			
	150WQ200-30-37	200	30	1450	37	73			
	150WQ150-35-37	150	35	1450	37	73			
	150WQ180-40-45	180	40	1450	45	71			
	200	200WQ300-7-11	300	7	980	11		66	GAK-200
		200WQ250-11-15	250	11	1450	15		64	
200WQ250-15-18.5		250	15	1450	18.5	73			
200WQ400-10-22		400	10	1450	22	75			
200WQ300-15-22		300	15	1450	22	76			
200WQ400-13-30		400	13	1450	30	76			
200WQ300-18-30		300	18	1450	30	85			



海洋泵阀

SEA PUMP & VALVE

WQ、QW系列无堵塞潜水排污泵
WQ,QW NON-CLOGGING SUBMERSIBLE SEWAGE PUMP

排污泵系列 Sewage Pump Series

WQ系列无堵塞固定式潜水排污泵性能参数表

Performance Parameter Table of WQ Non-clogging Fixed Submersible Sewage Pump Series

Table with 8 columns: 口径 (mm), 型号 (Type), 流量 (m³/h), 扬程 (m), 转速 (r/min), 功率 (kW), 效率 (%), 自动耦合器 (Automatic coupler). Rows include models like 200WQ250-22-30, 250WQ600-9-30, 300WQ800-12-45, 350WQ1500-7-45, 400WQ2000-6-55, 450WQ2300-10-90, 500WQ2500-10-110, 600WQ5400-8-185.



海洋泵阀

SEA PUMP & VALVE

WQ、QW系列无堵塞潜水排污泵
WQ,QW NON-CLOGGING SUBMERSIBLE SEWAGE PUMP

排污泵系列 Sewage Pump Series

WQ系列无堵塞固定式潜水排污泵安装尺寸表

Dimension table of WQ Non-clogging Fixed Submersible Sewage Pump Series

Table with 20 columns: 口径 (mm), 型号 (Type), D, D1, H, G, H1, H2, H3, h, N1-φK, g, p, f, y, N2-φd, L, M, m, e, E. Rows include models like 25WQ8-12-0.75, 32WQ8-12-0.75, 40WQ12-15-1.5, 50WQ20-7-0.75, 65WQ25-15-2.2, 80WQ40-7-2.2, 100WQ70-7-3, 150WQ145-9-7.5, 200WQ300-7-11.



海洋泵阀

SEA PUMP & VALVE

WQ、QW系列无堵塞潜水排污泵
WQ,QW NON-CLOGGING SUBMERSIBLE SEWAGE PUMP

排污泵系列 Sewage Pump Series

WQ系列无堵塞固定式潜水排污泵安装尺寸表

Dimension table of WQ Non-clogging Fixed Submersible Sewage Pump Series

Table with columns for pump model, dimensions (D, D1, H, G, H1, H2, H3, h, N1-φK, g, p, f, y, N2-φd, L, M, m, e, E) and various technical specifications for different pump sizes (200, 250, 300, 350, 400, 450, 500, 600).



海洋泵阀

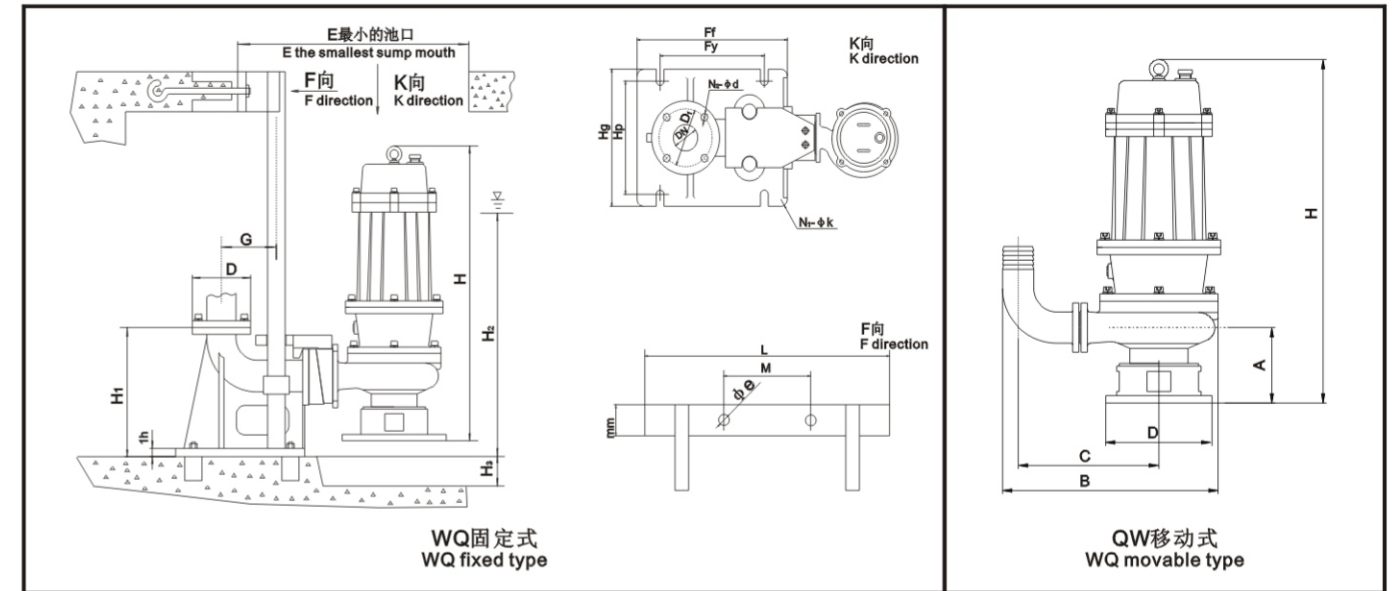
SEA PUMP & VALVE

WQ、QW系列无堵塞潜水排污泵
WQ,QW NON-CLOGGING SUBMERSIBLE SEWAGE PUMP

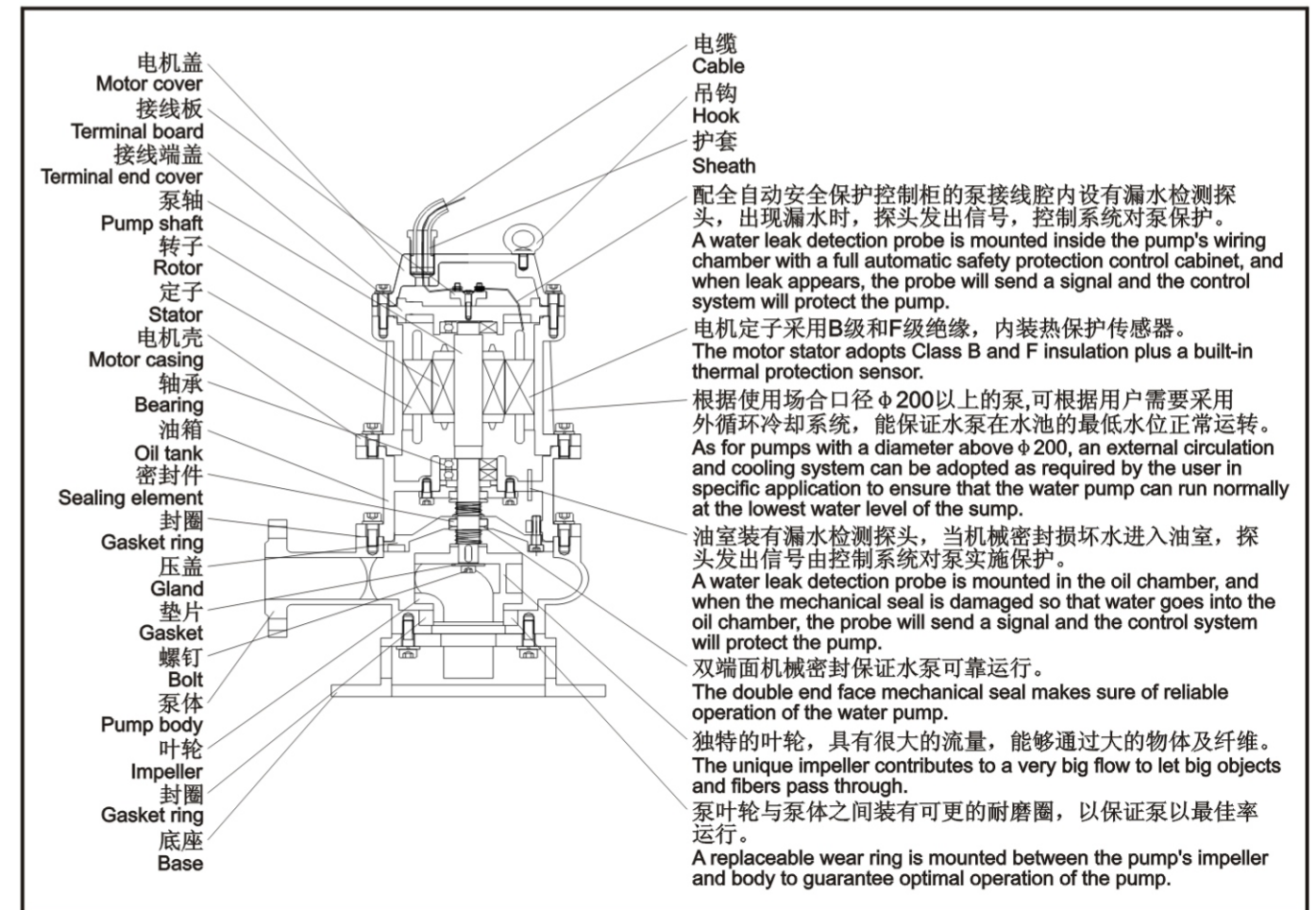
排污泵系列 Sewage Pump Series

WQ固定式、移动式无堵塞潜水排污泵安装尺寸图

Installing Dimension Diagram of WQ Fixed/Movable Non-clogging Submersible Sewage Pump



结构图 Structure Diagram





海洋泵阀

SEA PUMP & VALVE

WQ、QW系列无堵塞潜水排污泵
WQ,QW NON-CLOGGING SUBMERSIBLE SEWAGE PUMP

排污泵系列 Sewage Pump Series

QW系列无堵塞移动式潜水排污泵性能参数及外形尺寸表

Table of Performance Parameters and Overall Dimensions of QW Non-clogging Movable Submersible Sewage Pump Series

序号 No.	型号 Type	排出口径 Outlet diameter (mm)	流量 Flow (m³/h)	扬程 Head (m)	转速 Speed (r/min)	功率 Power (kW)	效率 Eff. (%)	A	B	C	D	H
1	25QW7-8-0.55	25	7	8	2900	0.55	45	120	360	225	210	540
2	25QW8-22-1.1	25	8	22	2900	1.1	45	120	360	225	210	540
3	32QW8-12-0.75	32	8	12	2900	0.75	48	120	360	225	210	540
4	40QW12-15-1.5	40	12	15	2900	1.5	48	120	360	225	210	540
5	50QW20-7-0.75	50	20	7	2900	0.75	62	145	440	275	185	520
6	50QW10-10-0.75	50	10	10	2900	0.75	54	120	250	230	185	520
7	50QW20-15-1.5	50	20	15	2900	1.5	51	120	250	230	210	564
8	50QW15-30-2.2	50	15	30	2900	2.2	51	145	410	245	205	550
9	50QW42-9-2.2	50	42	9	2900	2.2	52	145	410	245	205	550
10	50QW17-25-3	50	17	25	2900	3	53	155	420	250	260	660
11	50QWQ40-15-4	50	40	15	2900	4	54	140	457	264	310	730
12	50QW25-32-5.5	50	25	32	2900	5.5	49	165	480	285	310	770
13	50QW20-40-7.5	50	20	40	2900	7.5	50	175	480	285	310	770
14	65QW25-15-2.2	65	25	15	2900	2.2	52	145	450	280	205	570
15	65QW37-13-3	65	37	13	2900	3	60	165	475	305	260	652
16	65QW25-30-4	65	25	30	2900	4	58	170	505	300	325	710
17	65QW35-50-11	65	35	50	2900	11	59	165	460	300	350	920
18	65QW35-60-15	65	35	60	2900	15	58	165	460	300	350	920
19	80QW40-7-2.2	80	40	7	2900	2.2	50	165	510	330	260	640
20	80QW43-13-3	80	43	13	2900	3	61	165	540	330	325	652
21	80QW40-15-4	80	40	15	2900	4	57	180	565	330	325	775
22	80QW50-20-5.5	80	50	20	2900	5.5	60	165	565	330	325	775
23	80QW65-25-7.5	80	65	25	2900	7.5	56	180	565	330	325	775
24	80QW80-15-7.5	80	80	15	2900	7.5	45	165	510	330	260	775
25	100QW85-10-4	100	85	10	1450	4	62	220	700	430	420	800
26	100QW65-15-5.5	100	65	15	1450	5.5	59	225	680	410	420	825
27	100QW100-35-18.5	100	100	35	1450	18.5	67	225	680	410	420	970
28	100QW100-15-7.5	100	100	15	1450	7.5	70	225	690	420	420	825
29	100QW85-20-7.5	100	85	20	1450	7.5	71	225	690	420	420	825
30	100QW100-25-11	100	100	25	1450	11	61	225	690	450	520	940
31	150QW145-9-7.5	150	145	9	1450	7.5	63	225	800	510	420	795
32	150QW200-10-15	150	200	10	1450	15	64	275	950	610	520	1060
33	150QW180-15-15	150	180	15	1450	15	67	275	950	610	520	1060
34	150QW180-20-18.5	150	180	20	1450	18.5	74	250	925	585	520	1060
35	150QW150-26-18.5	150	150	26	1450	18.5	72	250	925	585	520	1060
36	150QW180-35-22	150	180	35	1450	22	69	260	925	585	520	1060
37	150QW200-30-37	150	200	30	1450	37	65	275	1025	650	520	1320
38	150QW150-35-37	150	150	35	1450	37	63	290	1025	650	520	1320
39	200QW300-7-11	200	300	7	980	15	75	290	990	610	520	1150
40	200QW250-11-15	200	250	11	1450	15	72	270	970	600	520	1120
41	200QW250-15-18.5	200	250	15	1450	18.5	72	290	1130	715	520	1130
42	200QW400-10-22	200	400	10	1450	22	75	275	1120	710	520	1130
43	200QW300-15-22	200	300	15	1450	22	71	275	1120	710	520	1130
44	200QW400-13-30	200	400	13	1450	30	76	275	1120	710	520	1320
45	200QW250-22-30	200	250	22	1450	30	71	275	1120	710	520	1290



海洋泵阀

SEA PUMP & VALVE

WQ、QW系列无堵塞潜水排污泵
WQ,QW NON-CLOGGING SUBMERSIBLE SEWAGE PUMP

排污泵系列 Sewage Pump Series

QW系列无堵塞移动式潜水排污泵性能参数及外形尺寸表

Table of Performance Parameters and Overall Dimensions of QW Non-clogging Movable Submersible Sewage Pump Series

序号 No.	型号 Type	排出口径 Outlet diameter (mm)	流量 Flow (m³/h)	扬程 Head (m)	转速 Speed (r/min)	功率 Power (kW)	效率 Eff. (%)	A	B	C	D	H
46	200QW300-25-37	200	300	25	1450	37	73	325	1080	680	520	1370
47	200QW250-35-45	200	250	35	1450	45	69	330	1250	780	520	1370
48	200QW400-30-55	200	400	30	1450	55	72	330	1160	730	520	1450
49	200QW400-60-75	200	200	60	1450	75	52	330	1160	730	520	2100
50	250QW600-9-30	250	600	9	980	30	78	440	1100	700	520	1660
51	250QW600-12-37	250	600	12	1450	37	76	440	1100	700	520	1660
52	250QW600-15-45	250	600	15	1450	45	73	440	1100	700	520	1660
53	250QW600-20-55	250	600	20	1450	55	73	440	1100	700	520	1700
54	250QW600-25-75	250	600	25	1450	75	71	440	1100	700	520	1750
55	300QW800-12-45	300	800	12	980	45	74	470	1305	850	650	1845
56	300QW480-15-45	300	480	15	1450	45	66	470	1305	850	650	1845
57	300QW400-20-45	300	400	20	1450	45	64	470	1305	850	650	1845
58	300QW600-20-55	300	600	20	1450	55	73	470	1305	850	650	2060
59	300QW800-20-75	300	800	20	1450	75	75	470	1305	850	650	2120
60	300QW950-20-90	300	950	20	1450	90	76	470	1305	850	650	2120
61	300QW950-24-110	300	950	24	1450	110	76	500	1350	875	650	2220
62	350QW1100-10-55	350	1100	10	980	55	85	530	1363	1110	700	2150
63	350QW1180-13-75	350	1180	13	980	75	84	542	1533	1280	700	2150
64	350QW1200-15-90	350	1200	15	980	90	84	630	1533	1280	700	2190
65	350QW1130-18-90	350	1130	18	980	90	83	650	1533	1280	700	2190
66	350QW1250-20-110	350	1250	20	740	110	83	700	1586	1333	700	2240
67	350QW1500-20-132	350	1500	20	740	132	82	700	1616	1363	700	2480
68	350QW1500-26-160	350	1500	26	740	160	83	700	1666	1413	700	2590
69	400QW1800-10-75	400	1800	10	740	75	85	600	1650	1365	780	2000
70	400QW1690-12-90	400	1690	12	980	90	85	600	1650	1365	780	2000
71	400QW2000-13.5-110	400	2000	13.5	980	110	85	600	1650	1365	780	2280
72	400QW1700-22-160	400	1700	22	740	160	84	630	1670	1380	780	2600
73	400QW2000-18-160	400	2000	18	980	160	85	630	1670	1380	780	2600
74	400QW1950-23-185	400	1950	23	980	185	85	650	1700	1410	780	2780
75	400QW1980-26-220	400	1980	26	980	220	83	650	1700	1410	780	2850
76	400QW1800-32-250	400	1800	32	740	250	82	670	1730	1440	780	2850
77	450QW2300-10-90	450	2300	10	740	90	85	983	1915	1600	850	2250
78	450QW2250-11-110	450	2250	11	740	110	85	983	1965	1700	850	2250
79	450QW2260-14-132	450	2260	14	740	132	85	1000	2015	1800	850	2350
80	450QW2280-20-185	450	2280	20	740	185	83	1000	2065	1900	850	2420
81	450QW2300-25-250	450	2300	25	740	250	83	1050	2095	1930	850	2870
82	450QW2300-29-280	450	2300	29	740	280	83	1050	2165	2050	850	2950
83	450QW2100-36-315	450	2100	36	740	315	83	1200	2265	2200	850	3100
84	500QW2490-10-110	500	2500	10	740	110	85	900	2218	1875	900	2250
85	500QW2500-16-160	500	2500	16	740	160	85	955	1968	1625	900	2450
86	500QW2490-18-185	500	2500	18	740	185	85	1000	1968	1645	900	2450
87	500QW2500-12-132	500	2500	12	740	132	85	1030	2038	1695	900	2250
88	500QW2400-22-220	500	2500	22	740	220	85	900	2218	1875	900	2520
89	500QW2650-24-250	500	2650	24	740	250	85	1070	2198	1855	900	2890
90	500QW2400-28-280	500	2400	28	740	280	85	1150	2738	2395	900	3000



JPWQ为不锈钢外套型
JPWQ stands for the stainless steel casing type



JYWQ为普通型
JYWQ for the common type

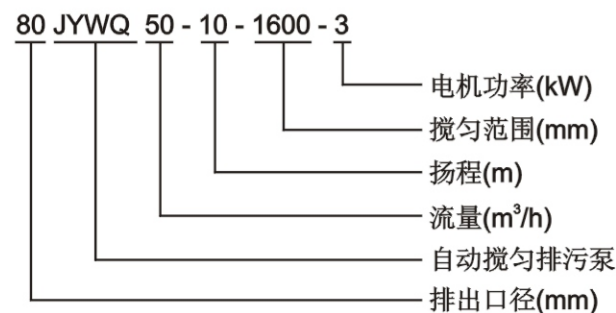
产品概况

JYWQ、JPWQ系列自动搅匀排污泵是在普通型排污泵的基础上采用自动搅拌装置，该装置随电机轴旋转，产生极强的搅拌力，将污水池内的沉积物搅拌成悬浮物，吸入泵内排出，提高了泵的防堵、排污能力，一次性完成了排水、清污、除淤，节约了运行成本，是具有明显的先进性和实用性的环保产品。

产品用途

- 1、工厂、商业严重污染废水的排放。
- 2、城市污水处理厂、医院、宾馆的排水系统。
- 3、住宅区的污水排水站。
- 4、人防系统排水站、自来水管的给水装置。
- 5、市政工程、建筑工地。
- 6、勘探、矿山、发电厂配套附机。
- 7、农村沼气池、农田灌溉、河塘清淤。

型号意义



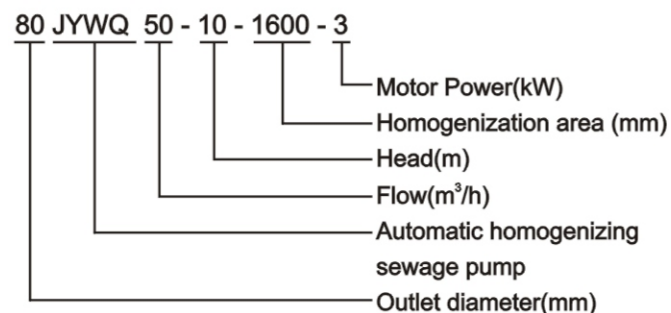
Product Introduction

JYWQ and JPWQ automatic homogenizing sewage pump series adopt an automatic mixer based on a common sewage pump. The mixer turns with the motor shaft to produce an extremely strong mixing force to mix deposits in the sump into suspended substances which then are drawn into the pump and discharged. It improves the pump's capacities for clogging resistance and dredging as well as finishes water drainage and removal of sewage and silt with one step to save running costs, so it's a noticeably advanced, practical and environment-friendly product.

Product Use

1. Drainage of seriously polluted waste water from factories or commerce;
2. Drainage systems in municipal sewage treatment plants, hospitals or guesthouses;
3. Sewage drainages stations in residential areas;
4. Drainage stations of civil air defense systems or water supply systems of water plants;
5. Municipal works or construction sites;
6. Auxiliary systems for exploration, mines or power plants;
7. Rural methane tanks, irrigation of farmland or dredging of rivers or pools.

Type Designation



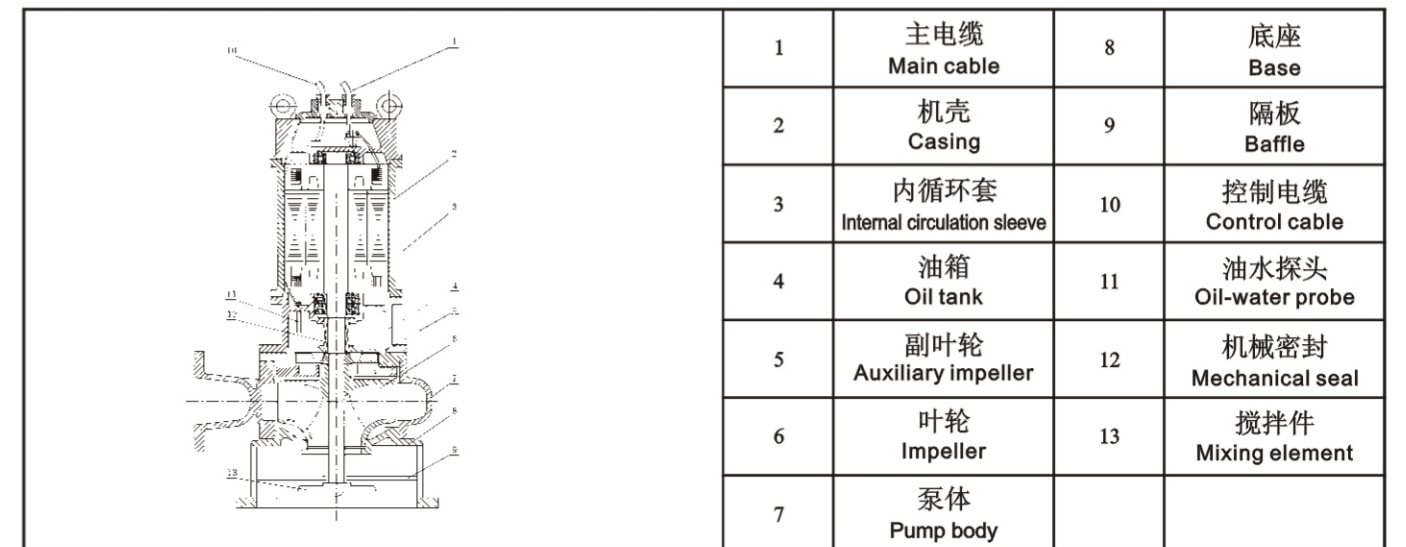
工作条件

- 1、介质温度不超过60℃，介质重度为1~1.3kg/dm³，PH值在4~10范围内。
 - 2、1Cr18Ni9Ti不锈钢材质可适用各种腐蚀性介质。
- 注：用户如有特殊的介质、温度等要求，请在订货时注明输送介质详细情况，以便本公司提供更为可靠之产品。

产品特点

- 1、采用独特的双流道无堵塞叶轮结构，提高污水污物的过流能力和排污能力。
- 2、自动搅拌装置，产生极强的搅拌力，将池内的沉淀物搅拌成悬浮物后吸入叶轮排出，达到清淤的作用。
- 3、隔板将底座一分为二，搅拌与进水互不影响。
- 4、机械密封为双端面机械密封，长期处于油室中，保证水泵安全可靠地运行。
- 5、副叶轮结构的流体动力密封，既有辅助密封作用，从而保护机械密封，又平衡轴向力，延长轴承的使用寿命。
- 6、泵接线腔内设有漏水检测探头，出现漏水时，探头发信号，控制系统对泵实施保护。本公司可配全自动安全保护控制柜。
- 7、电机定子采用B级和F级绝缘，内设热保护器，当电机过载发热，保护器及时作出动作，对泵和电机实施绝对的保护。
- 8、油室内装有油水探头，当机械密封损坏后，水进入油室，探头发信号，由控制系统对水泵实施保护。
- 9、JPWQ带内循环冷却系统，能保证水泵在水池最低水位正常工作。

结构图 Structure Diagram



Working Conditions

1. The medium temperature shall not exceed 60℃, the medium's unit weight within 1~1.3kg/dm³ and PH within 4~10.
 2. The 1Cr18Ni9Ti stainless steel material is applicable for various corrosive media.
- Note: If the user has special requirements for medium, temperature and the like, please note the details on the working medium in the order so that our company can provide more reliable products.

Product features

1. It adopts a unique double flow channel non-clogging impeller structure, improving capacities for flow-through of sewage and filth and dredging.
2. The automatic mixer produces an extremely strong mixing force to mix deposits in the sump into suspended substances which then are drawn into the impeller and discharged for the purpose of dredging.
3. The baffle divides the base into two so that mixing and water inflow are not affected mutually.
4. The mechanical seal adopts double end faces, which stays inside the oil chamber for long to make sure of safe and reliable operation of the water pump.
5. The fluid dynamic seal of the auxiliary impeller structure has an auxiliary sealing effect to protect the mechanical seal and also a balancing axial thrust to extend the bearing's service life.
6. A water leak detection probe is mounted inside the pump's wiring chamber, and when leak appears, the probe will send a signal and the control system will protect the pump. Our company can provide a full automatic safety protection control cabinet.
7. The motor stator adopts Class B and F insulation plus a built-in thermal protector, and when the motor heats for overloading, the protector will act in time for absolute protection for the pump and the motor.
8. An oil-water leak probe is mounted in the oil chamber, and after the mechanical seal is damaged so that water goes into the oil chamber, the probe will send a signal and the control system will protect the water pump.
9. JPWQ is provided with an internal circulation and cooling system to ensure that the water pump can work normally at the lowest water level of the sump.



海洋泵阀

SEA PUMP & VALVE

JYWQ、JPWQ自动搅匀排污泵
JYWQ AND JPWQ AUTOMATIC HOMOGENIZING SEWAGE PUMP

排污泵系列 Sewage Pump Series

性能参数 Performance Parameters

序号 No.	型号 Type	排出口径 Outlet diameter (mm)	流量 Flow (m ³ /h)	扬程 Head (m)	搅拌直径 Mibing diameter (mm)	转速 Speed (r/min)	功率 Power (kW)	效率 Eff. (%)	自动耦合器 Automatic coupler
1	50-12-15-1200-1.5	50	12	15	1200	2900	1.5	48	GAK-50
2	50-20-7-1200-1.1	50	20	7	1200	2900	1.1	62	GAK-50
3	50-10-10-1200-1.1	50	10	10	1200	2900	1.1	56	GAK-50
4	50-15-15-1200-2.2	50	15	15	1200	2900	2.2	51	GAK-50
5	50-25-10-1200-2.2	50	25	10	1200	2900	2.2	65	GAK-50
6	50-15-20-1200-2.2	50	15	20	1200	2900	2.2	56	GAK-50
7	50-20-15-1200-2.2	50	20	15	1200	2900	2.2	56	GAK-50
8	50-42-9-1200-3	50	42	9	1200	2900	3	56	GAK-50
9	50-17-25-1200-3	50	17	25	1200	2900	3	56	GAK-50
10	50-25-22-1200-4	50	25	22	1200	2900	4	62	GAK-50
11	50-40-15-1400-4	50	40	15	1400	2900	4	70	GAK-50
12	50-25-32-1600-5.5	50	25	32	1600	2900	5.5	52	GAK-50
13	50-40-30-1600-7.5	50	40	30	1600	2900	7.5	68	GAK-50
14	65-25-15-1400-3	65	25	15	1400	2900	3	65	GAK-65
15	65-37-13-1400-3	65	37	13	1400	2900	3	62	GAK-65
16	65-25-28-1400-4	65	25	28	1400	2900	4	60	GAK-65
17	80-40-7-1600-2.2	80	40	7	1600	2900	2.2	54	GAK-80
18	80-29-8-1600-2.2	80	29	8	1600	2900	2.2	54	GAK-80
19	80-43-13-1600-4	80	43	13	1600	2900	4	63	GAK-80
20	80-50-10-1600-3	80	50	10	1600	1450	3	76	GAK-80
21	80-40-15-1600-4	80	40	15	1600	2900	4	70	GAK-80
22	80-60-13-1600-4	80	60	13	1600	2900	4	70	GAK-80
23	80-35-25-1600-5.5	80	35	25	1600	2900	5.5	64	GAK-80
24	80-50-25-1600-7.5	80	50	25	1600	2900	7.5	70	GAK-80
25	80-50-30-1600-7.5	80	50	30	1600	2900	7.5	70	GAK-80
26	100-80-9-2000-4	100	80	9	2000	1450	4	62	GAK-100
27	100-110-10-2000-5.5	100	110	10	2000	1450	5.5	71	GAK-100
28	100-70-15-2000-5.5	100	70	15	2000	1450	5.5	71	GAK-100
29	100-100-15-2000-7.5	100	100	15	2000	1450	7.5	73	GAK-100
30	100-80-20-2000-7.5	100	80	20	2000	2900	7.5	71	GAK-100
31	100-50-35-2000-11	100	50	35	2000	2900	11	68	GAK-100
32	100-70-22-2000-7.5	100	70	22	2000	2900	7.5	70	GAK-100
33	100-100-22-2000-15	100	100	22	2000	1450	15	61	GAK-100
34	100-80-30-2000-15	100	80	30	2000	1450	15	67	GAK-100
35	150-150-10-2000-7.5	150	150	10	2000	1450	7.5	75	GAK-150
36	150-210-7-2500-7.5	150	210	7	2500	1450	7.5	78	GAK-150
37	150-250-6-2500-7.5	150	250	6	2500	1450	7.5	79	GAK-150
38	150-150-15-2500-11	150	150	15	2500	1450	11	79	GAK-150
39	150-200-10-2500-15	150	200	10	2500	1450	15	73	GAK-150
40	150-65-40-3200-18.5	150	65	40	3200	1450	18.5	58	GAK-150
41	150-180-22-2600-18.5	150	180	22	2600	1450	18.5	75	GAK-150
42	150-150-26-2600-18.5	150	150	26	2600	1450	18.5	72	GAK-150
43	150-110-30-2600-18.5	150	110	30	2600	1450	18.5	72	GAK-150
44	150-300-15-2600-22	150	300	15	2600	1450	22	76	GAK-150
45	150-130-30-2600-22	150	130	30	2600	1450	22	70	GAK-150
46	150-100-40-3000-30	150	100	40	3000	1450	30	64	GAK-150
47	200-300-7-3000-11	200	300	7	3000	1450	11	75	GAK-200
48	200-250-11-3000-15	200	250	11	3000	1450	15	72	GAK-200
49	200-300-10-3000-15	200	300	10	3000	1450	15	75	GAK-200
50	200-250-15-3000-18.5	200	250	15	3000	1450	18.5	72	GAK-200
51	200-400-10-3000-22	200	400	10	3000	1450	22	75	GAK-200
52	200-200-20-3000-22	200	200	20	3000	1450	22	73	GAK-200
53	200-250-22-3000-30	200	250	22	3000	1450	30	73	GAK-200
54	250-600-7-3000-22	250	600	7	3000	1450	22	78	GAK-250
55	250-600-9-3000-30	250	600	9	3000	1450	30	78	GAK-250



海洋泵阀

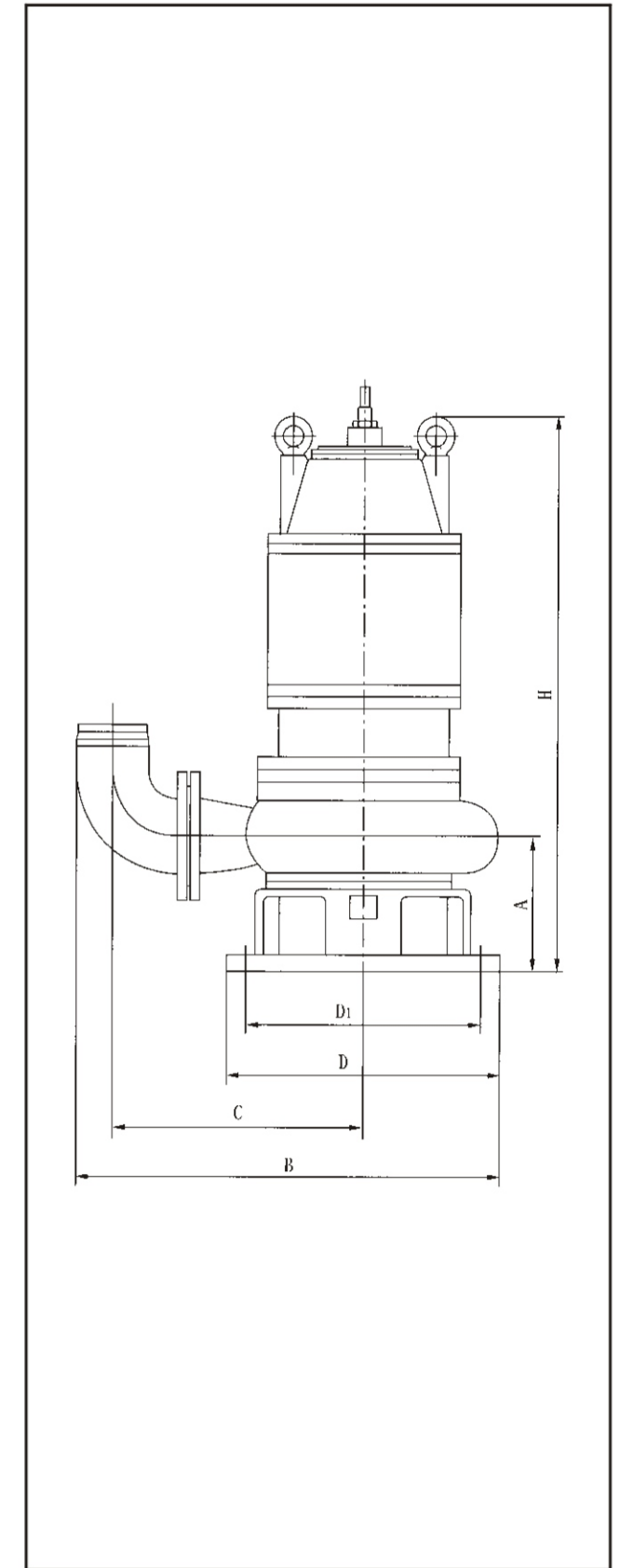
SEA PUMP & VALVE

JYWQ、JPWQ自动搅匀排污泵
JYWQ AND JPWQ AUTOMATIC HOMOGENIZING SEWAGE PUMP

排污泵系列 Sewage Pump Series

移动式安装尺寸表及示意图 Mobile Installation Dimension Table and Diagram

序号 No.	型号 Type	A	B	C	D ₁	D	H
1	50-12-15-1200-1.5	135	400	245	225	255	670
2	50-20-7-1200-1.1	132	343	225	150	180	610
3	50-10-10-1200-1.1	132	343	225	150	180	610
4	50-15-15-1200-2.2	135	400	245	225	255	670
5	50-25-10-1200-2.2	135	400	245	225	255	670
6	50-15-20-1200-2.2	135	400	245	225	255	670
7	50-20-15-1200-2.2	135	400	245	225	255	670
8	50-42-9-1200-3	143	420	265	225	255	750
9	50-17-25-1200-3	130	433	265	240	285	750
10	50-25-22-1200-4	135	400	245	225	255	735
11	50-40-15-1400-4	143	420	265	225	255	750
12	50-25-32-1600-5.5	180	480	295	270	320	820
13	50-40-30-1600-7.5	180	480	295	270	320	820
14	65-25-15-1400-3	143	435	270	225	255	750
15	65-37-13-1400-3	143	435	270	225	255	750
16	65-25-28-1400-4	180	515	317	270	320	800
17	80-40-7-1600-2.2	143	465	295	225	255	685
18	80-29-8-1600-2.2	143	465	295	225	255	685
19	80-43-13-1600-4	143	465	295	225	255	750
20	80-50-10-1600-3	180	570	325	280	320	790
21	80-40-15-1600-4	143	465	295	225	255	750
22	80-60-13-1600-4	143	465	295	225	255	750
23	80-35-25-1600-5.5	180	550	305	270	320	820
24	80-50-25-1600-7.5	180	550	305	270	320	820
25	80-50-30-1600-7.5	180	550	305	270	320	820
26	100-80-9-2000-4	180	600	386	280	320	790
27	100-110-10-2000-5.5	200	700	440	370	410	900
28	100-70-15-2000-5.5	200	690	430	370	410	900
29	100-100-15-2000-7.5	200	700	440	370	410	900
30	100-80-20-2000-7.5	180	585	370	270	320	900
31	100-50-35-2000-11	180	585	370	270	320	940
32	100-70-22-2000-7.5	180	585	370	270	320	900
33	100-100-22-2000-15	230	815	515	455	495	970
34	100-80-30-2000-15	230	815	515	455	495	970
35	150-150-10-2000-7.5	213	775	495	360	405	920
36	150-210-7-2500-7.5	242	830	540	365	410	950
37	150-250-6-2500-7.5	242	830	540	365	410	950
38	150-150-15-2500-11	220	770	495	345	395	990
39	150-200-10-2500-15	220	770	495	345	395	990
40	150-65-40-3200-18.5	250	930	595	440	495	1206
41	150-180-22-2600-18.5	270	930	595	440	495	1226
42	150-150-26-2600-18.5	270	930	595	440	495	1226
43	150-110-30-2600-18.5	270	930	595	440	495	1226
44	150-300-15-2600-22	300	900	575	440	495	1265
45	150-130-30-2600-22	270	930	595	440	495	1226
46	150-100-40-3000-30	270	930	595	440	495	1200
47	200-300-7-3000-11	270	945	605	400	445	1130
48	200-250-11-3000-15	270	945	605	400	445	1130
49	200-300-10-3000-15	270	945	605	400	445	1130
50	200-250-15-3000-18.5	270	945	605	400	445	1226
51	200-400-10-3000-22	270	945	605	400	445	1226
52	200-200-20-3000-22	297	980	630	440	495	1236
53	200-250-22-3000-30	297	980	630	440	495	1236





海洋泵阀

SEA PUMP & VALVE

JYWQ、JPWQ自动搅匀排污泵
JYWQ AND JPWQ AUTOMATIC HOMOGENIZING SEWAGE PUMP

排污泵系列 Sewage Pump Series

固定式自动耦合安装尺寸表及示意图 Fixed automatic coupling installation dimension table and diagram

Table with 20 columns: 序号 No., 型号 Type, φA, φB, φC, N1-φd, H, K, G, H1, H2, H3, h, g, p, f, y, N2-φK, J, R. It lists 55 different pump models with their corresponding dimensions.



海洋泵阀

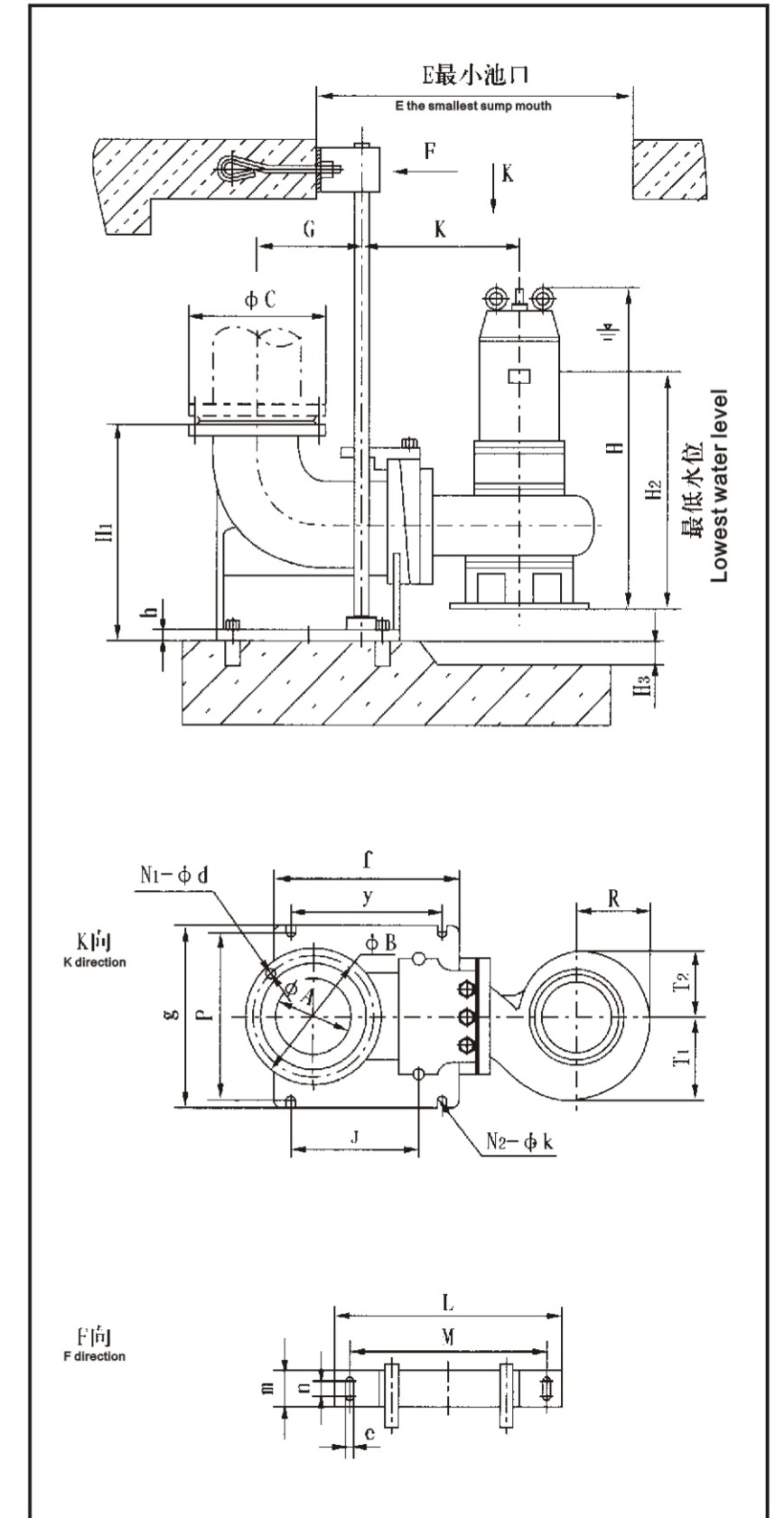
SEA PUMP & VALVE

JYWQ、JPWQ自动搅匀排污泵
JYWQ AND JPWQ AUTOMATIC HOMOGENIZING SEWAGE PUMP

排污泵系列 Sewage Pump Series

固定式自动耦合安装尺寸表及示意图 Fixed automatic coupling installation dimension table and diagram

Table with 8 columns: T1, T2, L, M, m, n, e, E. It lists 40 different pump models with their corresponding dimensions.





LW系列无堵塞立式排污泵
LW Series non-clogging vertical sewage

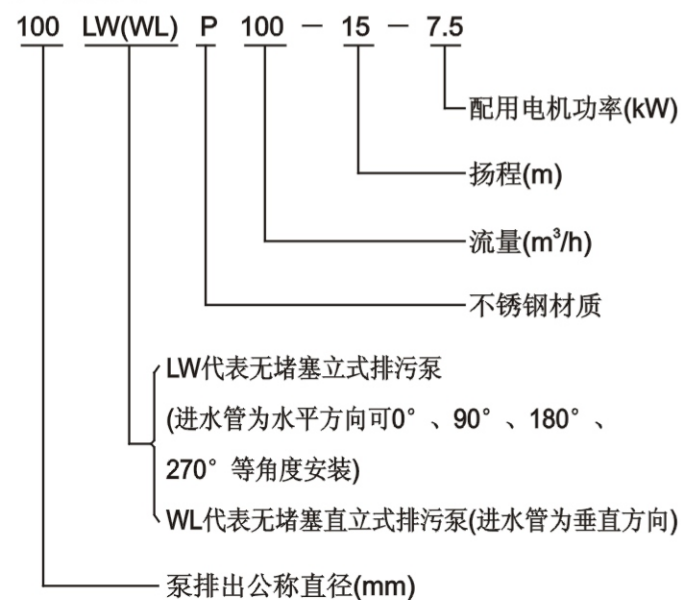


WL系列无堵塞直立式排污泵
WL Series non-clogging upright sewage pump

产品概况

LW(WL)系列无堵塞立式排污泵，是本公司根据用户实际的要求以及安装使用条件、方式的不同，结合本公司多年的实际经验，在WQ型潜水式排污泵的基础上进行合理优化设计而成，本系列产品具有安装使用方便，结构合理，同时也避免了因机械密封漏水而造成电机烧毁的弊病。

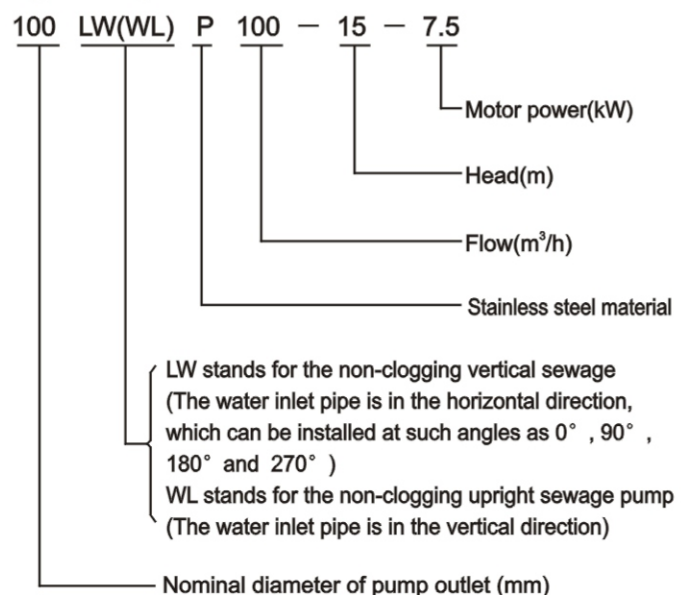
型号意义



Product Introduction

LW (WL) non-clogging vertical sewage pump series is optimized and designed reasonably by our company based on WQ submersible sewage pump in accordance with actual requirements and installation and working conditions and modes of users and in combination with many years of our practical experience. This series is user-friendly for installation and use, has a reasonable structure and avoids this shortcoming: the motor may be burnt for leakage of the mechanical seal.

Type Designation



适用范围

LW(WL)系列无堵塞立式排污泵适用于工厂商业严重污染废水的排放、住宅区的污水排污站、城市污水处理厂排水系统、人防系统排水站、自来水管的给水设备，医院、宾馆的污水排放、市政工程建筑工地、勘探、矿山配套附机、农村沼气池、农田灌溉等行业，输送带颗粒的污水、污物，也可用于清水及带弱腐蚀性介质。

产品特点

- 1、采用独特的单叶片或双叶片叶轮结构，大大提高了污物的通过能力，能有效的通过泵口径的5倍纤维物质与直径为泵口径约50%的固体颗粒；
- 2、机械密封采用新型硬质合金耐腐的碳化钨材料，使其长期处于油室内运行，可使泵安全连续运行8000小时以上；
- 3、整体结构紧凑、体积小、噪声小、节能效果显著，检修方便，同时因电机采用标准的Y系列电机，方便用户更换；
- 4、自动控制柜可以根据所需液位变化，自动控制泵的超动与停止，不需专人看管，使用极为方便；
- 5、可根据用户需要配备方盘、圆盘安装系统，它给安装、维修带来极大方便，人可不必此为而进入污水坑；
- 6、能够在全扬程范围内使用，而保证电机不会过载；
- 7、该泵配上户外型电机，则无须建泵房，可直接安装于户外使用节省开支；
- 8、泵为立式结构。

Scope of application

LW (WL) non-clogging vertical sewage pump series are applicable for transporting granular sewage and filth or clear water and slightly corrosive media in such industries as discharge of industrial and commercial waste water seriously polluted, sewage discharge stations of residential areas, drainage systems of urban sewage treatment plants, drainage stations of civil air defense systems, water supply systems of water plants, sewage discharge of hospitals and hotels, construction sites of civil works, supportive auxiliary machinery for exploration and mining, rural methane tanks and farmland irrigation.

Product features

1. It adopts the unique single/double-blade impeller structure, which can allow the effective passing of fiber matters with a diameter being 5 times of the pump diameter and also solid particles with a diameter being about 50% of the pump diameter, thus improving the trafficability of filth greatly;
2. Its mechanical seal adopts a new hard-alloy and corrosion-resistant tungsten carbide material so that it can function in the oil chamber for long, making the pump available for safe and continuous operation for more than 8,000 hours;
3. It boasts a compact and integrated structure, low noise, a noticeable energy-saving effect and being easy for overhaul, and it adopts a standard Y motor series, which is easy for users to replace it;
4. The automatic control cabinet can control the pump to start and stop automatically in accordance with required changes in the liquid level, thus unnecessary for specific personnel in charge and very easy for use;
5. It can be provided with an optional square/round plate system in accordance with user needs, which facilitates installation and maintenance extremely, so users needn't pass in and out of the sump;
6. It is available for use within the total Lift head while ensuring to keep the motor from overload;
7. With an outdoor motor this pump can be installed outdoors directly without building a pump room, thus saving costs;
8. The pump adopts a vertical structure.



工作条件

A、泵的使用环境温度≤40℃，湿度≤95%；海拔高度≤1000米，超过时应在订货时提出。

B、介质温度不超过60℃，介质重度为1~1.3kg/dm³。

C、铸铁材质的使用范围PH5~9。

D、1Cr18Ni9Ti不锈钢材质可使用一般腐蚀性介。

E、使用环境海拔高度不超过1000米，超过时应在订货时提出，以便为您提供更可靠的产品。

注：用户如有特殊的温度、介质等要求，请在订货时注明输送介质的详细情况，以便本单位提供更为可靠之产品。

Working Conditions

A. The pump's working ambient temperature is ≤ 40℃, humidity ≤ 95%, and height above sea level ≤ 1,000m, and if beyond those, it shall be noted in the order.

B. The medium temperature shall not exceed 60℃ and the medium's unit weight is within 1~1.3kg/dm³.

C. The application scope of the cast iron material is PH5~9;

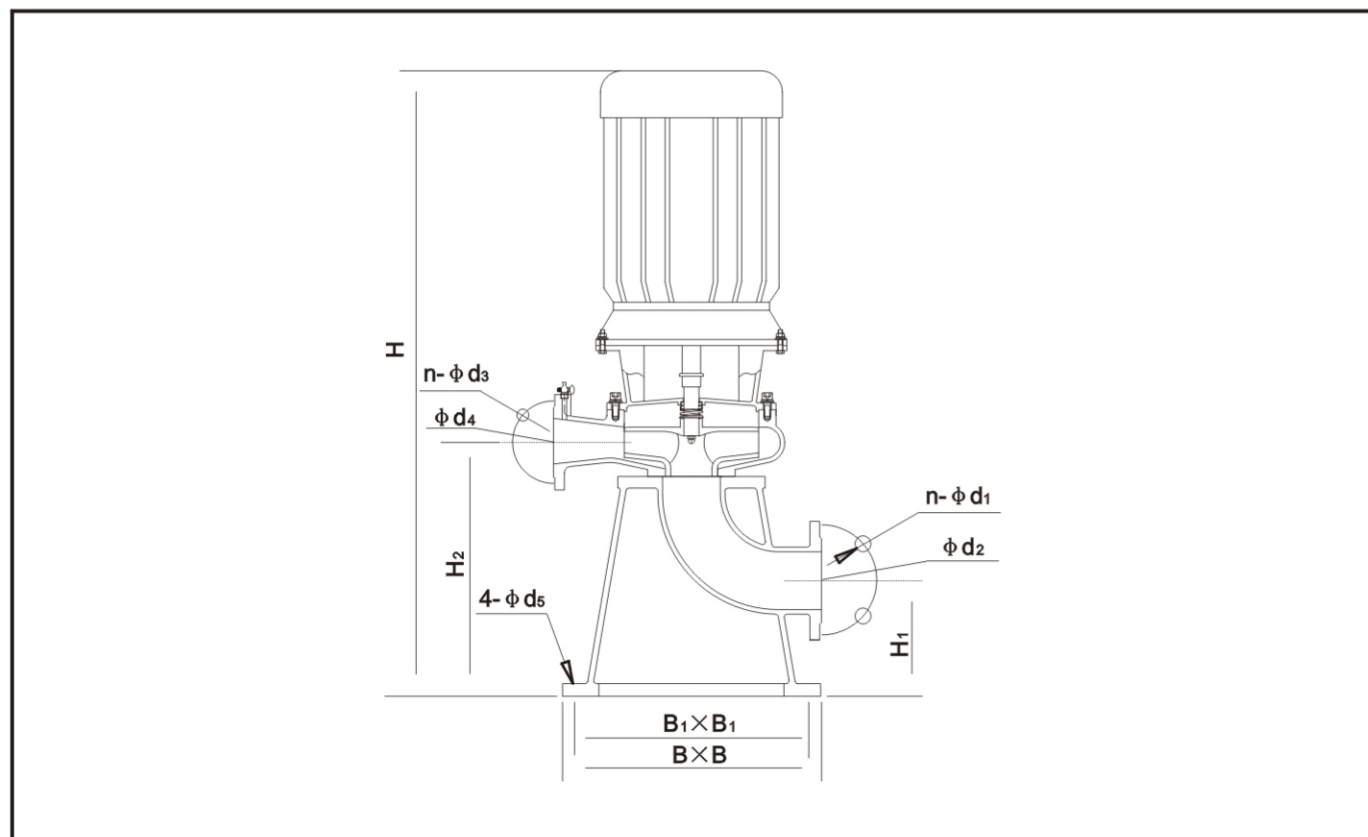
D. The 1Cr18Ni9Ti stainless steel material is applicable for general corrosive media;

E. The height above sea level of the working environment shall not go beyond 1,000m, and if beyond, it shall be noted in your order so as to provide more reliable products for you;

Note: If the user has special requirements for temperature, medium and the like, please note the details on the working medium in the order so that we can provide more reliable products.

LW无堵塞立式排污泵安装尺寸图(WL型安装尺寸图见本厂说明书)

Installing Dimension Diagram of LW Non-clogging Vertical Sewage Pump (see our instructions for the installing dimension diagram of WL)



性能参数及安装尺寸(WL型性能参数与LW型性能参数相同)

Performance parameters and installing dimensions (performance parameters of WL are the same as those of LW)

Table with columns: 序号 No., 型号 Type, 口径 Caliber (mm), 流量 Flow (m³/h), 扬程 Head (m), 转速 Speed (r/min), 功率 Power (kW), 效率 Eff. (%), 进口法兰 Inlet flange (n-d1, d2, H1), 出口法兰 outlet flange (n-d3, d4, H2), 底座安装孔 Mounting hole of base (B, B1, ds), H.



性能参数及安装尺寸(WL型性能参数与LW型性能参数相同)

Performance parameters and installing dimensions (performance parameters of WL are the same as those of LW)

序号 No.	型号 Type	口径 Caliber (mm)	流量 Flow (m³/h)	扬程 Head (m)	转速 Speed (r/min)	功率 Power (kW)	效率 Eff. (%)	进口法兰 Inlet flange			出口法兰 outlet flange			底座安装孔 Mounting hole of base			H
								n-d1	d2	H1	n-d3	d4	H2	B	B1	ds	
64	200LW250-22-30	200	250	22	1450	30	71	8-18	280	200	8-18	280	588	535	450	25	1380
65	200LW300-25-37		300	25	1450	37	71										1450
66	200LW400-20-45		400	20	1450	45	74										1600
67	200LW250-35-45		250	35	1450	45	69										1600
68	200LW400-30-55		400	30	1450	55	72										1600
69	200LW200-60-75		200	60	1450	75	52										1600
70																	
71	250LW600-9-30	250	600	9	980	30	78	12-18	335	240	12-18	335	685	590	500	27	1550
72	250LW600-12-37		600	12	1450	37	76										1550
73	250LW600-15-45		600	15	1450	45	73										1550
74	250LW600-20-55		600	20	1450	55	73										1550
75	250LW600-25-75		600	25	1450	75	71										1550
76	250LW600-30-90		600	30	1450	90	68										1850
77	300LW800-12-45	300	800	12	980	45	74	12-23	395	310	12-23	395	686	720	600	27	1650
78	300LW480-15-45		480	15	1450	45	66										1650
79	300LW400-20-45		400	20	1450	45	64										1650
80	300LW600-20-55		600	20	1450	55	73										1680
81	300LW800-20-75		800	20	1450	75	75										1680
82	300LW950-20-90		950	20	1450	90	76										1780
83	300LW950-24-110	950	24	1450	110	76	1780										
84																	
85	350LW1500-7-45	350	1500	7	740	45	87	12-23	445	240	12-23	445	710	800	700	27	1900
86	350LW1100-10-55		1100	10	980	55	85										1900
87	350LW1180-13-75		1180	13	980	75	84										1900
88	350LW1200-15-90		1200	15	980	90	84										1900
89	350LW1130-18-90		1130	18	980	90	83										1900
90	350LW1250-20-110		1250	20	980	110	83										1900
91	350LW1500-20-132	1500	20	980	132	82	1900										
92	350LW1500-26-160	1500	26	980	160	83	1900										
93																	
94	400LW2000-6-55	400	2000	6	740	55	86	16-23	495	300	16-23	495	850	390	330	27	2400
95	400LW1800-7-55		1800	7	740	55	85										2400
96	400LW2500-7-75		2500	7	740	75	85										2400
97	400LW1800-10-75		1800	10	740	75	85										2400
98	400LW1690-12-90		1690	12	980	90	85										2400
99	400LW2000-10-90		2000	10	980	90	85										2400
100	400LW2000-13-110		2000	13	980	110	84										2400
101	400LW2000-15-132		2000	15	980	132	83										2400
102	400LW1700-22-160		1700	22	980	160	83										2400
103	400LW2000-18-160		2000	18	980	160	85										2400
104	400LW1950-23-185		1950	23	980	185	85										2400
105	400LW1980-26-220	1980	26	980	220	83	2400										
106	400LW1800-32-250	1800	32	980	250	82	2400										
107																	
108	450LW2300-10-90	450	2300	10	740	90	85	16-23	550	350	16-23	550	1000	1000	900	27	2400
109	450LW2250-11-110		2250	11	740	110	85										2400
110	450LW2100-12-110		2100	12	740	110	83										2400
111	450LW2260-14-132		2260	14	740	132	83										2400
112	450LW2280-20-185		2280	20	740	185	82										2400
113	450LW2300-25-250		2300	25	740	250	81										2400
114	450LW2300-29-280		2300	29	740	280	80										2400
115	450LW2100-36-315		2100	36	740	315	78										2400
116																	
117	500LW2500-10-110	500	2500	10	740	110	85	20-23	600	450	20-23	600	1200	1200	1100	27	2800
118	500LW2500-16-160		2500	16	740	160	84										2800
119	500LW2500-18-185		2500	18	740	185	83										2800
120	500LW2500-12-132		2500	12	740	132	85										2800
121	500LW2400-22-220		2400	22	740	220	85										2800
122	500LW2650-24-250		2650	24	740	250	85										2800
123	500LW2400-28-280		2400	28	740	280	85										2800
124	600LW5400-8-185	600	5400	8	580	185	87	20-26	705	500	20-26	705	1200	1200	1100	27	2800
125	600LW4000-12-200		4000	12	580	200	86										2800
126	600LW3550-15-200		3550	15	740	200	84										2800



产品概况

GW系列无堵塞管道式排污泵，是本公司根据用户实际的要求以及安装使用条件、方式的不同，结合本公司多年的实际经验，在WQ型潜水式排污泵的基础上进行合理优化设计而成，本系列产品具有安装使用方便，结构合理，同时也避免了因机械密封漏水而造成电机烧毁的弊病。

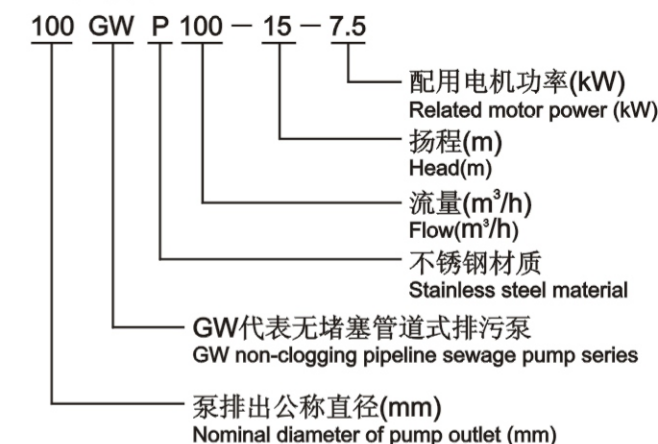
适用范围

GW系列无堵塞管道式排污泵适用于工厂商业严重污染废水的排放、住宅区的污水排污站、城市污水处理厂排水系统、人防系统排水站、自来水厂的给水设备，医院、宾馆的污水排放、市政工程建筑工地、勘探、矿山配套附机、农村沼气池、农田灌溉等行业，输送带颗粒的污水、污物，也可用于清水及带弱腐蚀性介质。

工作条件

- A、泵的使用环境温度 $\leq 40^{\circ}\text{C}$ ，湿度 $\leq 95\%$ ；海拔高度 ≤ 1000 米，超过时应在订货时提出。
 - B、介质温度不超过 60°C ，介质重度为 $1\sim 1.3\text{kg}/\text{dm}^3$ 。
 - C、铸铁材质的使用范围PH5~9。
 - D、1Cr18Ni9Ti不锈钢材质可使用一般腐蚀性介质。
 - E、使用环境海拔高度不超过 1000 米，超过时应在订货时提出，以便为您提供更可靠的产品。
- 注：用户如有特殊的温度、介质等要求，请在订货时注明输送介质的详细情况，以便本公司提供更为可靠的产品。

型号意义



Product Introduction

GW non-clogging pipeline sewage pump series is optimized and designed reasonably by our company based on WQ submersible sewage pump in accordance with actual requirements and installation and working conditions and modes of users and in combination with many years of our practical experience. This series is user-friendly for installation and use, has a reasonable structure and avoids this shortcoming: the motor may be burnt for leakage of the mechanical seal.

Scope of application

GW non-clogging pipeline sewage pump series are applicable for transporting granular sewage and filth or clear water and slightly corrosive media in such industries as discharge of industrial and commercial waste water seriously polluted, sewage discharge stations of residential areas, drainage systems of urban sewage treatment plants, drainage stations of civil air defense systems, water supply systems of water plants, sewage discharge of hospitals and hotels, construction sites of civil works, supportive auxiliary machinery for exploration and mining, rural methane tanks and farmland irrigation.

Working Conditions

- A. The pump's working ambient temperature is $\leq 40^{\circ}\text{C}$, humidity $\leq 95\%$, and height above sea level $\leq 1,000\text{m}$, and if beyond those, it shall be noted in the order.
 - B. The medium temperature shall not exceed 60°C and the medium's unit weight is within $1\sim 1.3\text{kg}/\text{dm}^3$.
 - C. The application scope of the cast iron material is PH5~9;
 - D. The 1Cr18Ni9Ti stainless steel material is applicable for general corrosive media;
 - E. The height above sea level of the working environment shall not go beyond $1,000\text{m}$, and if beyond, it shall be noted in your order so as to provide more reliable products for you;
- Note: If the user has special requirements for temperature, medium and the like, please note the details on the working medium in the order so that our company can provide more reliable products.



海洋泵阀

SEA PUMP & VALVE

GW系列无堵塞管道式排污泵
GW NON-CLOGGING PIPELINE SEWAGE PUMP

排污泵系列 Sewage Pump Series

性能参数及安装尺寸

Performance parameters and installing dimensions

口径 Caliber (mm)	型号 Type	流量 Flow (m³/h)	扬程 Head (m)	转速 Speed (r/min)	功率 Power (kW)	效率 Eff. (%)	进出口法兰 Inlet/outlet flange			安装底盘尺寸 Dimensions of installing chassis			外形尺寸 Overall dimensions									
							D	D1	n-φd1	C×E	C1×E1	4-φd2	A	L	H							
32	32GW8-12-0.75	8	12	2900	0.75	48	120	90	4-φ14	150×150	120×120	4-φ12	145	315	500							
	32GW8-22-1.5	8	22	2900	1.5	48																
40	40GW10-10-0.75	10	10	2900	0.75	54	130	100	4-φ14	150×150	120×120	4-φ12	115	320	470							
	40GW12-15-1.5	12	15	2900	1.5	48							150	360	525							
	40GW15-30-2.2	15	30	2900	2.2	51																
	50GW20-7-0.75	20	7	2900	0.75	62																
50	50GW10-10-0.75	10	10	2900	0.75	54	140	110	4-φ14	150×150	120×120	4-φ12	122	330	470							
	50GW20-15-1.5	20	15	2900	1.5	51							φ200	φ175	4-φ12	120	310	490				
	50GW15-30-2.2	15	30	2900	2.2	51				127	395	593										
	50GW42-9-2.2	42	9	2900	2.2	52				150	360	590										
	50GW17-25-3	17	25	2900	3	53				φ200	φ175	4-φ12				127	395	593				
	50GW40-15-4	40	15	2900	4	54										120	310	490				
	50GW25-32-5.5	25	32	2900	5.5	49										150	375	600				
	65	65GW25-15-2.2	25	15	2900	2.2				52	160	130				4-φ14	φ200	φ175	4-φ12	120	310	490
		65GW37-13-3	37	13	2900	3				60										150	375	525
		65GW25-30-4	25	30	2900	4				58			150	400	900							
65GW25-35-5.5		25	35	2900	5.5	49	φ200	φ175	4-φ12	185			470	525								
65GW35-50-11		35	50	2900	11	59				192			470	580								
65GW35-60-15		35	60	2900	15	58				185			470	640								
80	80GW40-7-2.2	40	7	1450	2.2	50	185	150	4-φ18	φ220	φ192	4-φ14	185	570	680							
	80GW43-13-3	43	13	2900	3	61							185	570	770							
	80GW40-15-4	40	15	2900	4	57							185	570	800							
	80GW50-20-5.5	50	20	2900	5.5	60				280×220	220×160	4-φ18	185	640	960							
	80GW65-25-7.5	65	25	2900	7.5	56							185	570	800							
	80GW80-15-7.5	80	15	2900	7.5	45							185	640	960							
100	100GW85-10-4	85	10	1450	4	62	205	170	4-φ18	280×220	220×160	4-φ18	185	570	680							
	100GW65-15-5.5	65	15	1450	5.5	59							185	570	770							
	100GW100-15-7.5	100	15	1450	7.5	70							185	570	800							
	100GW85-20-7.5	85	20	1450	7.5	71				280×220	220×160	4-φ18	185	640	960							
	100GW100-25-11	100	25	1450	11	61							185	640	960							
	100GW100-35-18.5	100	35	1450	18.5	67							185	640	960							
150	150GW145-9-7.5	145	9	1450	7.5	63	260	225	8-φ18	300×300	240×240	4-φ24	215	660	1030							
	150GW200-10-15	200	10	1450	15	64							215	660	1030							
	150GW150-26-18.5	150	26	1450	18.5	72							215	660	1030							
	150GW180-20-18.5	180	20	1450	18.5	74							215	660	1030							
	150GW180-35-22	180	35	1450	22	69							215	660	1030							
	150GW150-35-37	150	35	1450	37	63							215	660	1030							
200	150GW200-30-37	200	30	1450	37	65	315	280	8-φ18	365×305	295×225	4-φ23	310	780	1100							
	200GW300-7-11	300	7	980	11	75							310	780	1100							
	200GW250-11-15	350	11	1450	15	72							310	780	1100							
	200GW250-15-18.5	250	15	1450	18.5	72							310	780	1100							
	200GW400-10-22	400	10	1450	22	75							310	780	1100							
	200GW300-15-22	300	15	1450	22	71							310	780	1100							
	200GW400-13-30	400	13	1450	30	76							310	780	1100							
	200GW250-22-30	250	22	1450	30	71							310	780	1100							
200GW300-25-37	300	25	1450	37	73	310	780	1100														



海洋泵阀

SEA PUMP & VALVE

GW系列无堵塞管道式排污泵
GW NON-CLOGGING PIPELINE SEWAGE PUMP

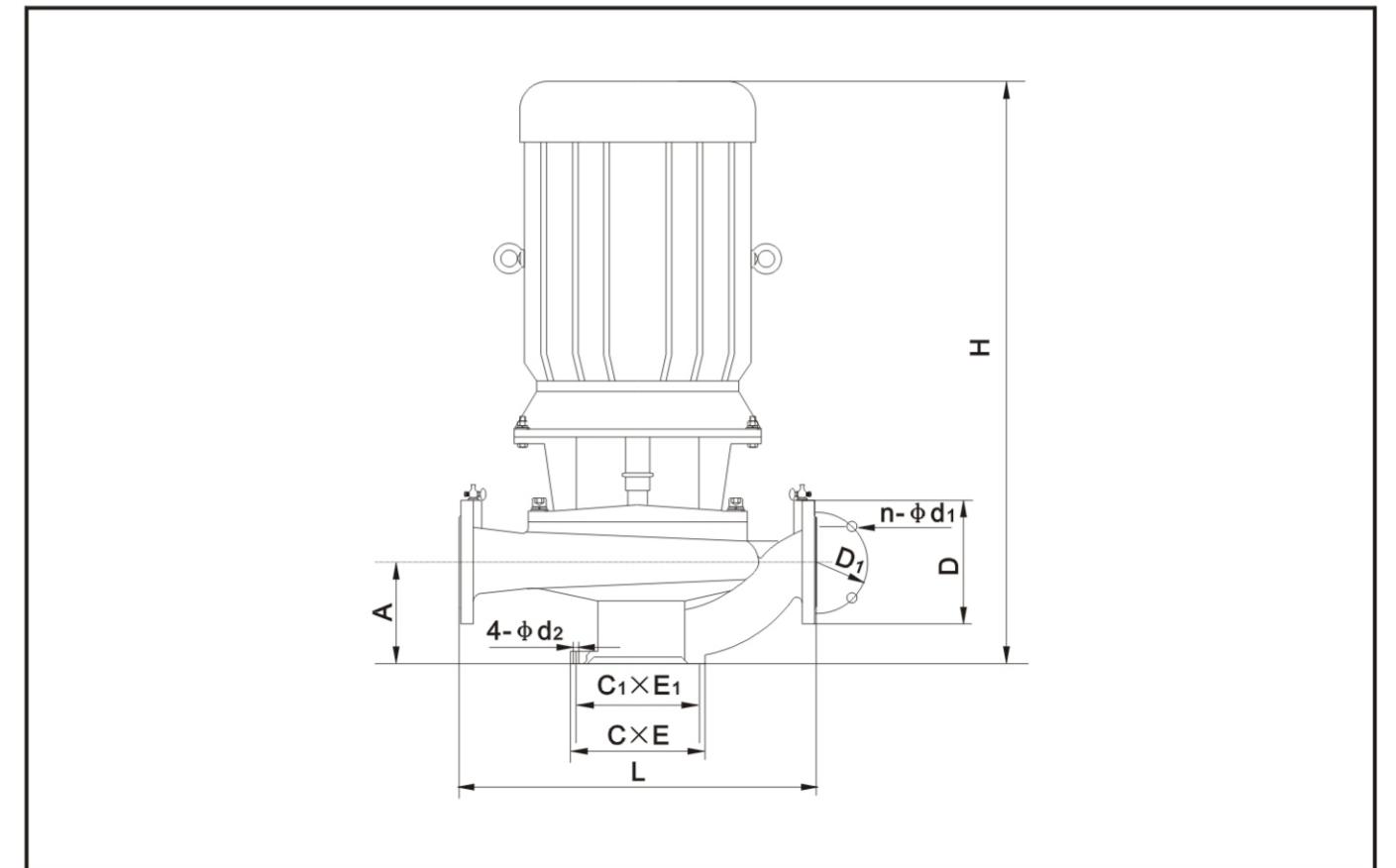
排污泵系列 Sewage Pump Series

性能参数及安装尺寸

Performance parameters and installing dimensions

口径 Caliber (mm)	型号 Type	流量 Flow (m³/h)	扬程 Head (m)	转速 Speed (r/min)	功率 Power (kW)	效率 Eff. (%)	进出口法兰 Inlet/outlet flange			安装底盘尺寸 Dimensions of installing chassis			外形尺寸 Overall dimensions		
							D	D1	n-φd1	C×E	C1×E1	4-φd2	A	L	H
200	200GW400-20-45	400	20	1450	45	71	315	280	8-φ18	350×300	300×250	4-φ22	320	780	1400
	200GW250-35-45	250	35	1450	45	69									
	200GW400-30-55	400	30	1450	55	72									
	200GW200-60-75	200	60	1450	75	65									
250	250GW600-9-30	600	9	980	30	78	370	335	12-φ18	400×350	350×300	4-φ22	350	950	1500
	250GW600-12-37	600	12	1450	37	76									
	250GW600-15-45	600	15	1450	45	73									
	250GW600-20-55	600	20	1450	55	73									
	250GW600-25-75	600	25	1450	75	71									
300	300GW800-12-45	800	12	980	45	74	435	395	12-φ23	500×400	450×350	4-φ22	415	1130	1700
	300GW480-15-45	480	15	1450	45	66									
	300GW400-20-45	400	20	1450	45	64									
	300GW600-20-55	600	20	1450	55	73									
	300GW800-20-75	800	20	1450	75	75									
	300GW950-20-90	950	20	1450	90	76									
300GW950-24-110	950	24	1450	110	76										

安装尺寸图 Installing dimensions chart





YW系列无堵塞液下式排污泵(单管)

YW non-clogging submersible sewage pump series (single-tube)



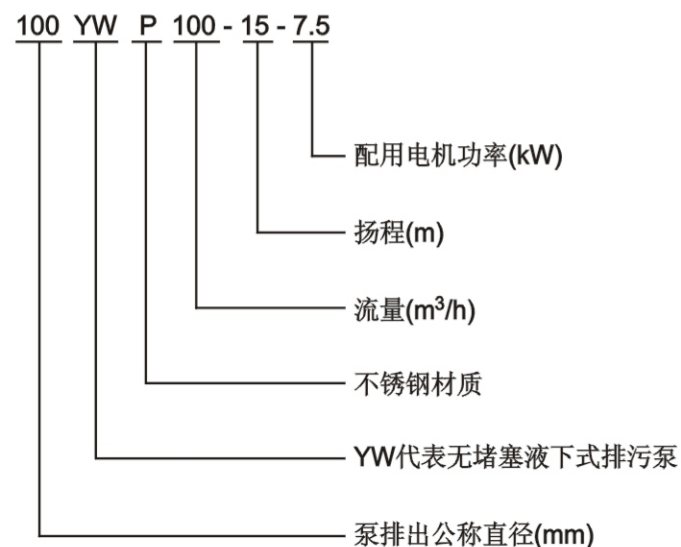
YW系列无堵塞液下式排污泵(双管)

YW non-clogging submersible sewage pump series (double-tube)

产品概况

YW系列无堵塞液下式排污泵，是本公司根据用户实际的要求以及安装使用条件、方式的不同，结合本公司多年的实际经验，在WQ型潜水式排污泵的基础上进行合理优化设计而成，本系列产品具有安装使用方便，结构合理，同时也避免了因机械密封漏水而造成电机烧毁的弊病。

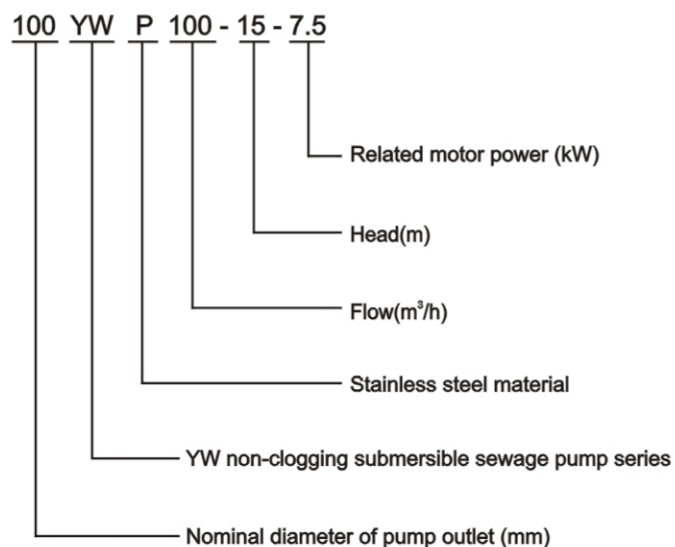
型号意义



Product Introduction

YW non-clogging submersible sewage pump series is optimized and designed reasonably by our company based on WQ submersible sewage pump in accordance with actual requirements and installation and working conditions and modes of users and in combination with many years of our practical experience. This series is user-friendly for installation and use, has a reasonable structure and avoids this shortcoming: the motor may be burnt for leakage of the mechanical seal.

Type Designation



产品特点

- 1、采用独特的单叶片或双叶片叶轮结构，大大提高了污物的通过能力，能有效的通过泵口径的5倍纤维物质与直径为泵口径约50%的固体颗粒；
- 2、机械密封采用新型硬质合金耐腐的碳化钨材料，使其长期处于油室内运行，可使泵安全连续运行8000小时以上；
- 3、整体结构紧凑、体积小、噪声小、节能效果显著，检修方便，同时因电机采用标准的Y系列电机，方便用户更换；
- 4、自动控制柜可以根据所需液位变化，自动控制泵的超动与停止，不需专人看管，使用极为方便；
- 5、可根据用户需要配备方盘、圆盘安装系统，它给安装、维修带来极大方便，人可不必此为而进入污水坑；
- 6、能够在全扬程范围内使用，而保证电机不会过载；
- 7、该泵配上户外型电机，则无须建泵房，可直接安装于户外使用节省开支；
- 8、泵为立式结构，工作时泵体淹没在介质中，因而容易启动，不存在抽气排空等问题，同时具有无渗漏等特点，液下深度根据泵型号的不同可达0.5~9米。

适用范围

YW系列无堵塞液下式排污泵适用于工厂商业严重污染废水的排放、住宅区的污水排污站、城市污水处理厂排水系统、人防系统排水站、自来水厂的给水设备，医院、宾馆的污水排放、市政工程建筑工地、勘探、矿山配套附机、农村沼气池、农田灌溉等行业，输送带颗粒的污水、污物，也可用于清水及带弱腐蚀性介质。

Product features

1. It adopts the unique single/double-blade impeller structure, which can allow the effective passing of fiber matters with a diameter being 5 times of the pump diameter and also solid particles with a diameter being about 50% of the pump diameter, thus improving the trafficability of filth greatly;
2. Its mechanical seal adopts a new hard-alloy and corrosion-resistant tungsten carbide material so that it can function in the oil chamber for long, making the pump available for safe and continuous operation for more than 8,000 hours;
3. It boasts a compact and integrated structure, low noise, a noticeable energy-saving effect and being easy for overhaul, and it adopts a standard Y motor series, which is easy for users to replace it;
4. The automatic control cabinet can control the pump to start and stop automatically in accordance with required changes in the liquid level, thus unnecessary for specific personnel in charge and very easy for use;
5. It can be provided with an optional square/round plate system in accordance with user needs, which facilitates installation and maintenance extremely, so users needn't pass in and out of the sump;
6. It is available for use within the total lift head while ensuring to keep the motor from overload;
7. With an outdoor motor this pump can be installed outdoors directly without building a pump room, thus saving costs;
8. With a vertical structure, the pump body is submerged in the medium for working, so it's very easy to start it without such problems as air exhaust and it's also characterized by zero leakage and the like. Its submerged depth can be up to 0.5-9m, subject to different pump types.

Scope of application

YW non-clogging submersible sewage pump series are applicable for transporting granular sewage and filth or clear water and slightly corrosive media in such industries as discharge of industrial and commercial waste water seriously polluted, sewage discharge stations of residential areas, drainage systems of urban sewage treatment plants, drainage stations of civil air defense systems, water supply systems of water plants, sewage discharge of hospitals and hotels, construction sites of civil works, supportive auxiliary machinery for exploration and mining, rural methane tanks and farmland irrigation.



海洋泵阀

SEA PUMP & VALVE

YW系列无堵塞液下式排污泵 YW NON-CLOGGING SUBMERSIBLE SEWAGE PUMP SERIES

排污泵系列 Sewage Pump Series

工作条件

A、泵的使用环境温度 $\leq 40^{\circ}\text{C}$ ，湿度 $\leq 95\%$ ；海拔高度 ≤ 1000 米，超过时应在订货时提出。

B、介质温度不超过 60°C ，介质重度为 $1\sim 1.3\text{kg}/\text{dm}^3$ 。

C、铸铁材质的使用范围PH5~9。

D、1Cr18Ni9Ti不锈钢材质可使用一般腐蚀性介质。

E、使用环境海拔高度不超过1000米，超过时应在订货时提出，以便为您提供更可靠的产品。

注：用户如有特殊的温度、介质等要求，请在订货时注明输送介质的详细情况，以便本公司提供更为可靠之产品。

Working Conditions

A. The pump's working ambient temperature is $\leq 40^{\circ}\text{C}$, humidity $\leq 95\%$, and height above sea level $\leq 1,000\text{m}$, and if beyond those, it shall be noted in the order.

B. The medium temperature shall not exceed 60°C and the medium's unit weight is within $1\sim 1.3\text{kg}/\text{dm}^3$.

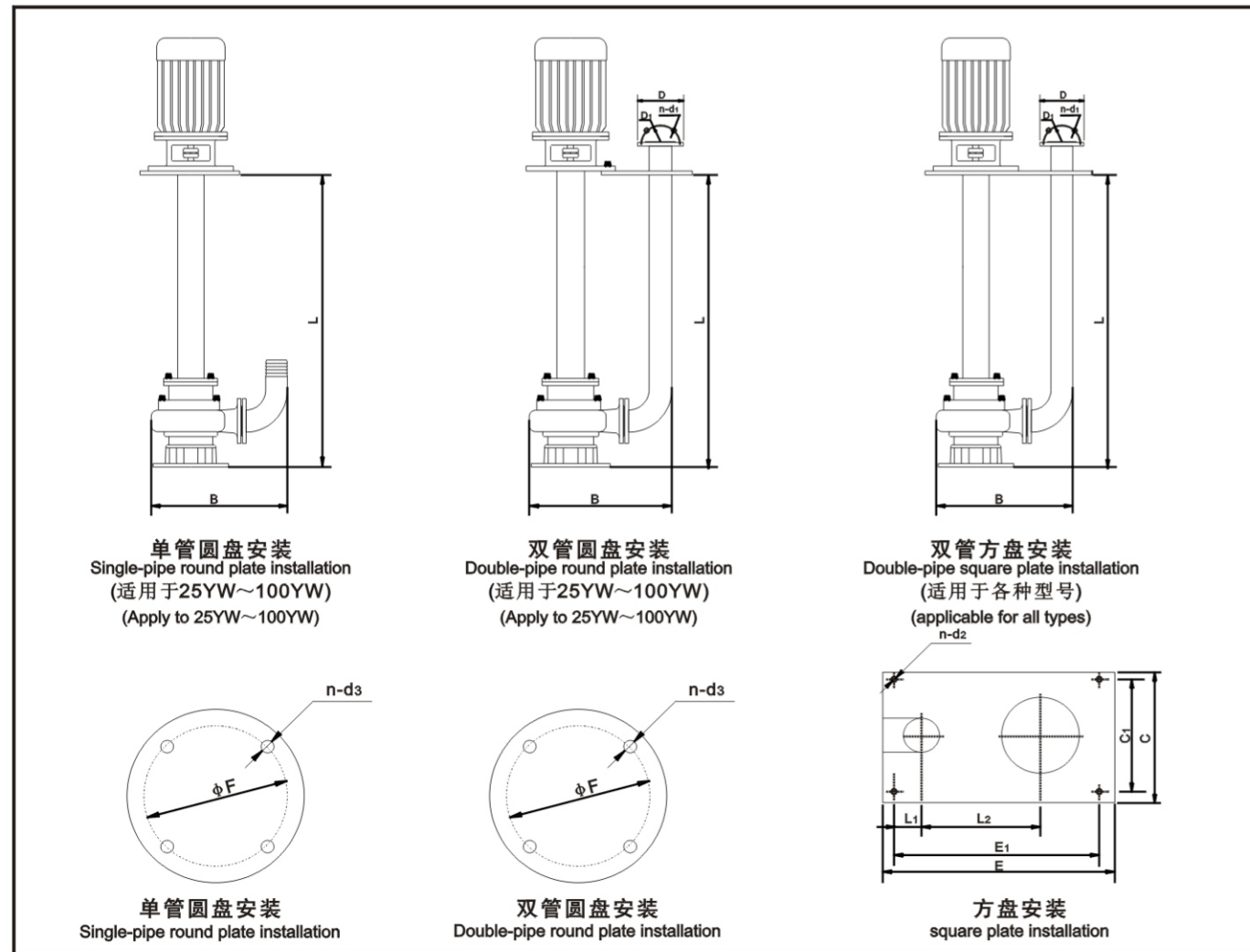
C. The application scope of the cast iron material is PH5~9;

D. The 1Cr18Ni9Ti stainless steel material is applicable for general corrosive media;

E. The height above sea level of the working environment shall not go beyond 1,000m, and if beyond, it shall be noted in your order so as to provide more reliable products for you;

Note: If the user has special requirements for temperature, medium and the like, please note the details on the working medium in the order so that our company can provide more reliable products.

外形尺寸图及安装尺寸图 Outline dimensions and installing dimensions



海洋泵阀

SEA PUMP & VALVE

YW系列无堵塞液下式排污泵 YW NON-CLOGGING SUBMERSIBLE SEWAGE PUMP SERIES

排污泵系列 Sewage Pump Series

性能参数及安装尺寸

Performance parameters and installing dimensions

口径 Caliber (mm)	型号 Type	流量 Flow (m ³ /h)	扬程 Head (m)	转速 Speed (r/min)	功率 Power (kW)	效率 Eff. (%)	B	出口法兰 outlet flange			液下深度 Submerged depth L(m)	安装盘尺寸 Installation plate Size							
								D	D1	n-d1		E×C	E1×C1	n-d2	φF	n-d3	L1	L2	
25	25YW8-12-0.75	8	12	2900	0.75	48	336	100	75	4-14	0.5~5	600×320	540×250	4-φ18	φ250	4-φ18	100	220	
	25YW8-22-1.1	8	22	2900	1.1	45	370												
32	32YW8-12-0.75	8	12	2900	1.75	48	336	120	90	4-14	0.5~5	600×320	540×250	4-φ18	φ250	4-φ18	100	220	
	32YW8-22-1.1	8	22	2900	1.1	45	370												
40	40YW12-15-1.5	12	15	2900	1.5	48	413	130	100	4-14	0.5~5	600×320	540×250	4-φ18	φ250	4-φ18	100	220	
50	50YW20-7-0.75	20	7	2900	0.75	62	430	140	110	4-14	0.5~5	600×320	540×250	4-φ18	φ270	4-φ18	100	260	
	50YW10-10-0.75	10	10	2900	0.75	54	430												
	50YW20-15-1.5	20	15	2900	1.5	51	430												
	50YW15-30-2.2	15	30	2900	2.2	45	443												
	50YW42-9-2.2	42	9	2900	2.2	52	443												
	50YW30-10-2.2	30	10	2900	2.2	51	443												
	50YW17-25-3	17	25	2900	3	52	431												
	50YW40-15-4	40	15	2900	4	57	499												
50	50YW25-32-5.5	25	32	2900	5.5	60	499	140	110	4-14	0.5~5	600×320	540×250	4-φ18	φ250	4-φ18	100	260	
	50YW20-40-7.5	20	40	2900	7.5	46	499												
65	65YW25-15-2.2	25	15	2900	2.2	52	478	160	130	4-14	0.5~5	600×320	540×250	4-φ18	φ270	4-φ18	100	290	
	65YW37-13-3	37	13	2900	3	60	500												
	65YW25-30-4	25	30	2900	4	58	500												
	65YW30-30-5.5	30	30	2900	5.5	58	500												
	65YW30-40-7.5	30	40	2900	7.5	55	500												
	65YW35-50-11	35	50	2900	11	42	595												
65	65YW35-60-15	35	60	2900	15	41	595	160	130	4-14	0.5~5	600×320	540×250	4-φ18	φ300	4-φ18	100	290	
80	80YW40-7-2.2	40	7	1450	2.2	50	588	185	150	4-18	0.7~6	650×350	600×300	4-φ18	φ270	4-φ18	100	330	
	80YW43-13-3	43	13	2900	3	48	540												
	80YW50-7-3	50	7	2900	3	52	540												
	80YW40-15-4	40	15	2900	4	48	588												
	80YW50-20-5.5	50	20	2900	5.5	50	585												
	80YW65-25-7.5	65	25	2900	7.5	51	585												
	80YW80-15-7.5	80	15	2900	7.5	54	585												
100	100YW70-7-3	70	7	1450	3	60	690	205	170	4-18	0.7~6	745×430	680×370	4-φ18	φ250	4-φ18	120	330	
	100YW85-10-4	85	10	1450	4	62	690												
	100YW60-15-4	60	15	1450	4	60	690												
	100YW65-15-5.5	65	15	1450	5.5	59	690												
	100YW100-15-7.5	100	15	1450	7.5	70	772												
	100YW85-20-7.5	85	20	1450	7.5	65	772												
	100YW100-25-11	100	25	1450	11	61	778												
	100YW100-30-15	100	30	1450	15	59	778												
	100YW100-35-18.5	100	35	1450	18.5	56	808												
150	150YW145-9-7.5	145	9	1450	7.5	63	830	260	225	8-18	1~6	1300×750	1220×680	6-φ18	φ300	4-φ18	200	550	
	150YW110-15-7.5	110	15	1450	7.5	61	830												
	150YW200-10-15	200	10	1450	15	64	947												
	150YW180-15-15	180	15	1450	15	62	947												
	150YW180-20-18.5	180	20	1450	18.5	74	945												
	150YW150-26-18.5	150	26	1450	18.5	72	945												
	150YW180-25-22	180	25	1450	22	69	950												
	150YW200-25-30	200	25	1450	30	65	960												
	150YW200-30-37	200	30	1450	37	65	977												
	150YW150-35-37	150	35	1450	37	63	977												
	150YW180-40-45	180	40	1450	45	59	1012												
200	200YW300-7-11	300	7	980	11	75	1075	315	280	8-18	1~6	1500×750	1420×680	6-φ18	φ300	4-φ18	200	610	
	200YW250-11-15	250	11	1450	15	72	1030												
	200YW250-15-18.5	250	15	1450	18.5	72	1075												
	200YW400-10-22	400	10	1450	22	75	1050												
	200YW300-15-22	300	15	1450	22	71	1050												
	200YW400-13-30	400	13	1450	30	76	1080												
	200YW300-18-30	300	18	1450	30	68	1080												



海洋泵阀

SEA PUMP & VALVE

YW系列无堵塞液下式排污泵
YW NON-CLOGGING SUBMERSIBLE SEWAGE PUMP SERIES

排污泵系列 Sewage Pump Series

性能参数及安装尺寸

Performance parameters and installing dimensions

Table with columns: 口径 (mm), 型号 (Type), 流量 (m³/h), 扬程 (m), 转速 (r/min), 功率 (kW), 效率 (%), B, 出口法兰 (outlet flange), 液下深度 (Submerged depth), 安装盘尺寸 (Installation plate Size), D, D1, n-d1, L(m), E×C, E1×C1, n-d2, L1, L2. Rows include models like 200YW250-22-30, 250YW600-9-30, 300YW800-12-45, 350YW1500-7-45, 400YW2000-6-55, 450YW2300-10-90, 500YW2500-10-110, 600YW5400-8-185.



海洋泵阀

SEA PUMP & VALVE

AS、AV系列撕裂式潜水排污泵
AS AND AV TEARING SUBMERSIBLE DREDGE PUMPS SERIES

排污泵系列 Sewage Pump Series

性能参数 Performance parameters

Table with columns: 型号 (Type), 流量 (m³/h), 扬程 (m), 功率 (kW), 转速 (r/min), 电压 (V), 配用胶管内径 (Inner diameter of related rubber tube mm). Rows include models like AS10-2W/CB, AS10-2CB, AS16-2CB, AS30-2CB, AS55-2CB, AS55-4CB, AS75-2CB, AS75-4CB, AV14-4, AV55-2, AV75-2.



产品概况

AS、AV系列撕裂式潜水排污泵采用国外先进技术研制而成, 适用于供排送工商业污水、生活污水、城市污水处理厂排水系统、人防系统排水站、自来水厂的给排水之用。特别适用于输送含有坚硬固体、纤维物的液体, 以及特别脏、粘和滑的液体。所有AS泵均装有经调好的撕裂机构, 能将污水中纤维、袋、带、草、布条等撕裂后排出。因此, 在污水中工作不会堵塞, 运行十分可靠。

产品用途

- 1、工厂、商业严重污染废水的排放;
- 2、城市污水处理厂排水系统;
- 3、住宅区的污水排放;
- 4、人防系统排水;
- 5、医院、宾馆等的污水排放;
- 6、市政工程、建筑工地。

型号意义



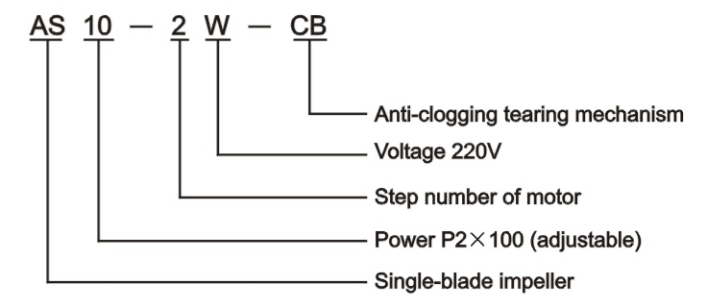
Product Introduction

AS and AV tearing submersible sewage pumps series are developed with foreign advanced technologies, applicable for drainage and supply of industrial, commercial and domestic sewage, drainage systems in municipal sewage treatment plants, drainage stations of civil air defense systems and water supply of water plants. In particular, it's applicable for transporting liquids containing solids or fibers or those which are especially dirty, viscous or slippery. All AS pumps are mounted with an adjusted tearing mechanism which can tear and discharge long fibers, bags, strips, grass, cloth belts and the like in sewage. Therefore, it's free of clogging when working in sewage, with very reliable operation.

Product use

- 1. Drainage of seriously polluted waste water from factories or commerce;
- 2. Drainage systems of municipal sewage treatment plants;
- 3. Sewage drainage in residential areas;
- 4. Water drainage of civil air defense systems;
- 5. Sewage drainage in hospitals, guesthouses, etc.;
- 6. Municipal works or construction sites;

Type Designation





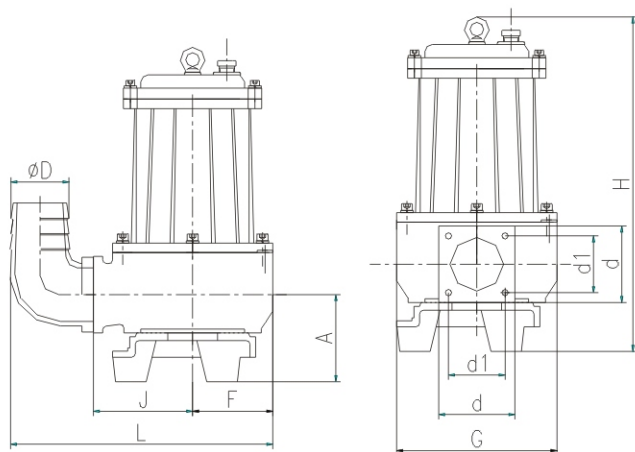
海洋泵阀

SEA PUMP & VALVE

AS系列切割式潜水排污泵 AS series cutting type submersible sewage pump

排污泵系列 Sewage Pump Series

外形及安装尺寸图



Outline and installation dimensions

型号 Type	D	H	A	L	F	J	G	d	d1
AS10-2W/CB	70	430	105	355	100	140	210	100	75
AS10-2CB	70	495	105	355	100	140	210	100	75
AS16-2CB	70	435	105	355	100	140	210	100	75
AS30-2CB	70	490	110	380	130	140	240	100	75
AS55-2CB	100	840	250	660	215	245	350	155	110
AS75-2CB	100	840	250	660	215	245	350	155	110
AS55-4CB	150	875	265	755	230	255	410	205	150
AS75-4CB	150	875	265	755	230	255	410	205	150

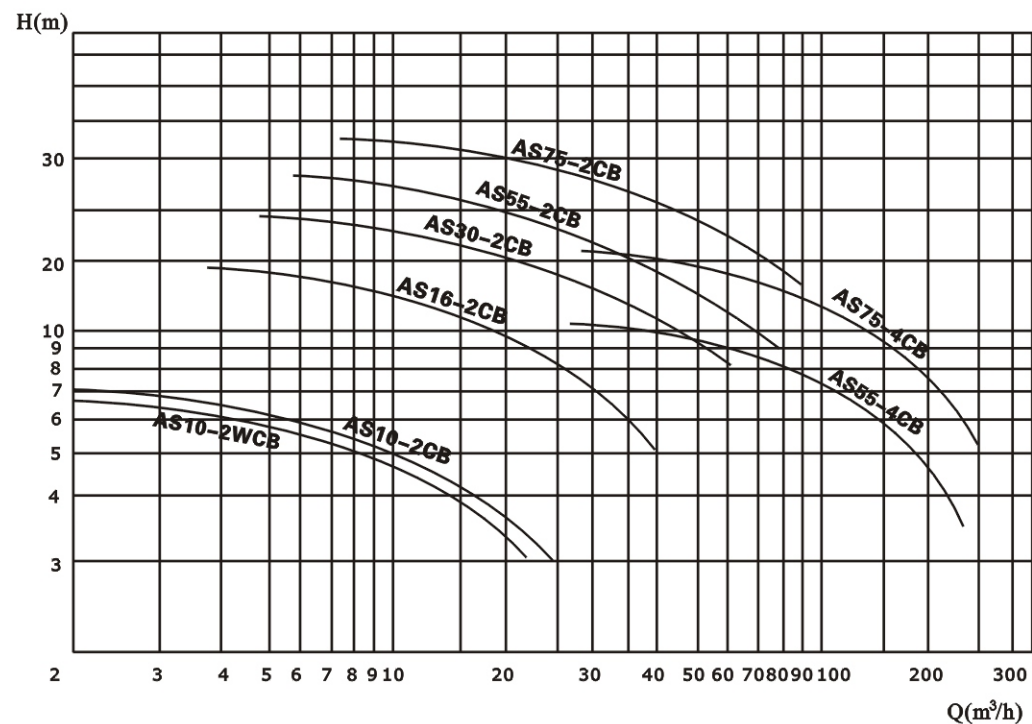
工作条件

- 1.最高介质温度：连续使用时约40℃。间歇使用(最长不超过5分钟)为80℃。
- 2.AS系列泵主要零件材料为铸铁,所以不能应用于抽吸高度腐蚀性液体。

Working conditions

- 1.the highest temperature of medium continuous use about 40 DEG C. Intermittent use (the longest No more than 5 minutes) to 80 DEG C. The material of main parts of
- 2.AS series pump is made of cast iron, so can not be used for suction Highly corrosive liquid.

性能曲线 performance curve

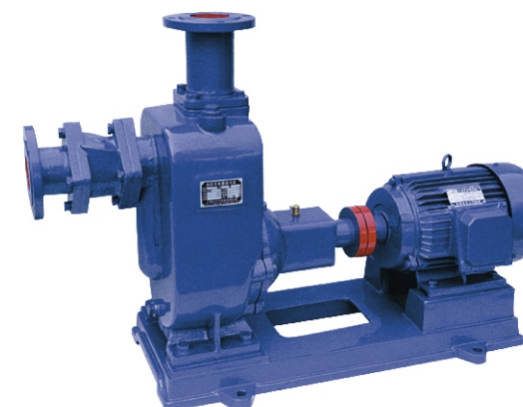


海洋泵阀

SEA PUMP & VALVE

ZW(ZWL)系列无堵塞自吸式排污泵 ZW(ZWL)NON-CLOGGING SELF-PRIMING SEWAGE PUMP SERIES

排污泵系列 Sewage Pump Series



ZW联轴器型
ZW coupling type



ZWL直联型
ZWL direct connection type

产品概况

ZW(ZWL)系列无堵塞自吸式排污泵集自吸和无堵塞功能,既可象一般清水自吸泵一样不需底阀,不需引灌水,又可抽吸含有颗粒、长纤维的介质。自吸能力强,使用方便,安装简单易行,性能稳定。

Product Introduction

ZW(ZWL)non-clogging self-priming sewage pump series integrates self-priming and non-clogging functions, so it doesn't need any bottom valve or water guiding like common clear water self-priming pumps but pumps media containing grains or long fibers, featuring its strong self-priming capacity, user-friendliness, easy installation and stable performance.

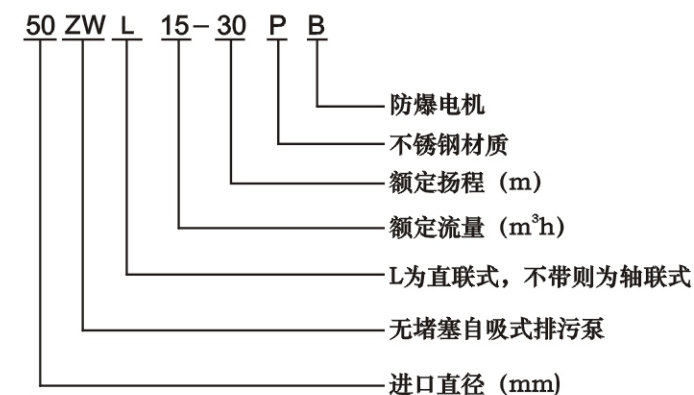
适用范围

- 1、环境温度 $\leq 45^{\circ}\text{C}$, 介质温度 $\leq 60^{\circ}\text{C}$;
- 2、介质PH值铸铁为6~9, 不锈钢为1~14;
- 3、通过颗粒最大直径为口径的60%, 纤维长度为口径的5倍;
- 4、介质中杂质总重量不超过介质总重量的15%, 介质密度不超过 1240kg/m^3 ;
- 5、使用环境海拔高度不超过1000米, 超过时应在订货时提出, 以便为您提供更可靠的产品。

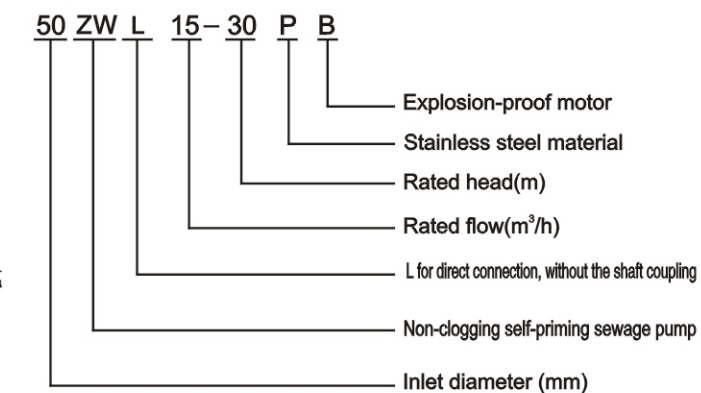
Scope of application

1. Ambient temperature: $\leq 45^{\circ}\text{C}$; medium temperature: $\leq 60^{\circ}\text{C}$;
2. Medium PH: 6~9 for cast iron and 1~14 for stainless steel;
3. The maximum diameter of passing grains is 60% of the pump diameter while the fiber length is 5 times of the pump diameter;
4. The total weight of impurities in the medium shall not exceed 15% of the total weight of the medium while the medium density shall not exceed 1240kg/m^3 ;
5. The height above sea level of the working environment shall not go beyond 1,000m, and if beyond, it shall be noted in your order so as to provide more reliable products for you;

型号意义



Type Designation





性能参数 Performance parameters

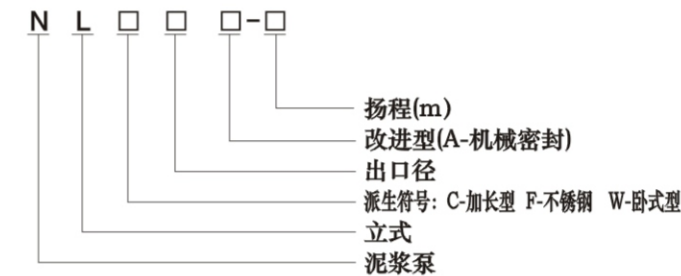
型号 Type	流量 Flow m ³ /h	扬程 Head m	功率 Power kW	转速 Speed r/min	效率 Eff. %	汽蚀余量 (NPSH) m
ZW(ZWL)25-8-15	8	15	2.2	2900	45	2.0
ZW(ZWL)32-5-20	5	20	2.2	2900	45	2.5
ZW(ZWL)32-10-20	10	20	2.2	2900	45	2.5
ZW(ZWL)32-9-30	9	30	3	2900	48	2.5
ZW(ZWL)40-10-20	10	20	2.2	2900	45	2.5
ZW(ZWL)40-20-15	20	15	2.2	2900	45	2.5
ZW(ZWL)40-15-30	15	30	3	2900	48	2.5
ZW(ZWL)50-10-20	10	20	2.2	2900	45	2.5
ZW(ZWL)50-20-12	20	12	2.2	2900	45	2.5
ZW(ZWL)50-15-30	15	30	3	2900	48	2.5
ZW(ZWL)50-20-35	20	35	5.5	2900	48	2.5
ZW(ZWL)65-30-18	30	18	4	1450	45	2.5
ZW(ZWL)65-25-30	25	30	5.5	2900	50	3.0
ZW(ZWL)65-25-40	25	40	7.5	2900	50	3.0
ZW(ZWL)65-40-25	40	25	7.5	2900	50	3.0
ZW(ZWL)65-65-25	65	25	7.5	2900	52	3.0
ZW(ZWL)80-40-16	40	16	4	1450	50	3.0
ZW(ZWL)80-40-25	40	25	7.5	2900	50	3.0
ZW(ZWL)80-25-40	25	40	7.5	2900	50	3.0
ZW(ZWL)80-65-25	65	25	7.5	2900	52	3.0
ZW(ZWL)80-80-35	80	35	15	2900	45	3.0
ZW(ZWL)80-40-50	40	50	18.5	2900	50	3.0
ZW(ZWL)80-50-60	50	60	22	2900	55	3.0
ZW(ZWL)100-100-15	100	15	7.5	1450	50	4.0
ZW(ZWL)100-80-20	80	20	7.5	1450	53	4.0
ZW(ZWL)100-100-20	100	20	11	1450	53	4.0
ZW(ZWL)100-100-30	100	30	22	2900	53	4.0
ZW(ZWL)100-80-45	80	45	30	2900	55	4.0
ZW(ZWL)100-80-60	80	60	37	2900	53	4.0
ZW(ZWL)100-80-80	80	80	45	2900	50	4.0
ZW(ZWL)125-120-20	120	20	15	1450	55	4.5
ZW(ZWL)150-180-14	180	14	15	1450	60	5.0
ZW(ZWL)150-180-20	180	20	22	1450	60	5.0
ZW(ZWL)150-180-30	180	30	37	1450	65	5.0
ZW(ZWL)150-180-38	180	38	55	1450	45	5.0
ZW(ZWL)200-280-14	280	14	22	1450	65	5.0
ZW(ZWL)200-280-20	280	20	37	1450	62	5.0
ZW(ZWL)200-300-25	300	25	45	1450	59	5.0
ZW(ZWL)200-280-28	280	28	55	1450	55	4.8
ZW(ZWL)250-420-20	420	20	55	1450	61	6.0
ZW(ZWL)300-800-14	800	14	55	1450	65	6.0



产品概况

本泵系单级单吸立式离心泵,主要部件有蜗壳、叶轮、泵座、泵壳、支撑筒、电机座、电动机等组成。蜗壳、泵座、电机座、叶轮螺母是生铁铸造、耐腐蚀性较好,加工工艺方便。叶轮为三片单园弦弯叶,选用半封闭叶轮,并采用可锻铸铁、所以强度高,耐腐蚀;加工方便,通过性好,效率高。为了减轻重量和减少车削量、泵轴是优质碳素钢冷拉圆钢制造。泵座中装有四只骨架油封和轴套,防止轴磨损,延长轴的使用寿命。本泵可垂直或倾斜使用,占地面积小,蜗壳需埋在工作介质中工作,容易启动,不需引水,旋转方向应从电机尾部看是顺时针方向工作。总机长度备有各种规格,以便使用单位根据用途因地制宜地选用。

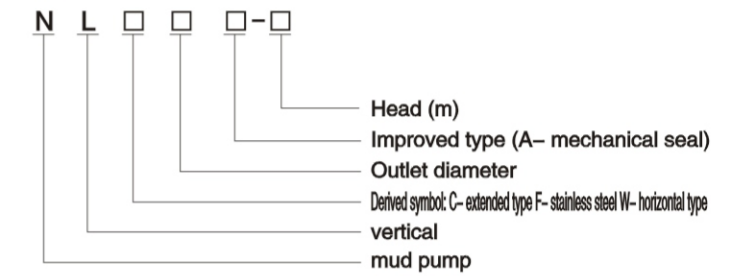
型号意义



Product Introduction

This pump is a single-stage single suction vertical centrifugal pump, the main components of a volute, impeller, pump, pump shell, a supporting cylinder, a motor seat, motor etc.. Volute, a pump seat, a motor seat, the impeller nut is cast iron, good corrosion resistance, easy processing. Impeller for the three single - string bending garden leaves, use a semi enclosed impeller, and the use of malleable cast iron, so high strength, corrosion resistance; the processing is convenient, through the good and high efficiency. In order to reduce weight and reduce the amount of turning, the pump shaft is a high-quality carbon steel cold drawn steel park. The pump seat is equipped with four skeleton oil seal and the sleeve to prevent shaft wear and prolong the service life of shaft. The pump can be vertical or inclined to use, small footprint, scroll be buried in the work of media work, easy to start, without water, from the direction of motor rotation direction is clockwise to see the end of work. Operator length with a variety of specifications for the use of units according to the purpose to choose.

Type Designation



性能参数 Performance parameters

型号 Type	转速 Speed r/min	流量 Flow m ³ /h	扬程 Head m	效率 Eff. %	电机功率 Motor power KW	立式泵全长 Vertical pump length mm	机泵重量 Pump weight kg
NL50-8 NL50A-8	1450	20-30	9	42	1.5	1310	63
NL50-12 NL50A-12	1450	25-38	12-14	41	3	1310	80
NL76-9	1450	50-70	9-10	42	3	1350	90
NL65-16 NL65A-16	1450	50-60	15-18	42	5.5	1430	152
NL80-12 NL80A-12	1450	80-120	11-13	56	7.5	1430	145
NL100-16 NL100A-16	1450	80-100	15-17	61	15	1510	270
NL150-12 NL150A-12	1450	100-150	11-13	66	18.5	1690	350
NL150-16 NL150A-16	1450	120-180	15-20	68	22	1690	370



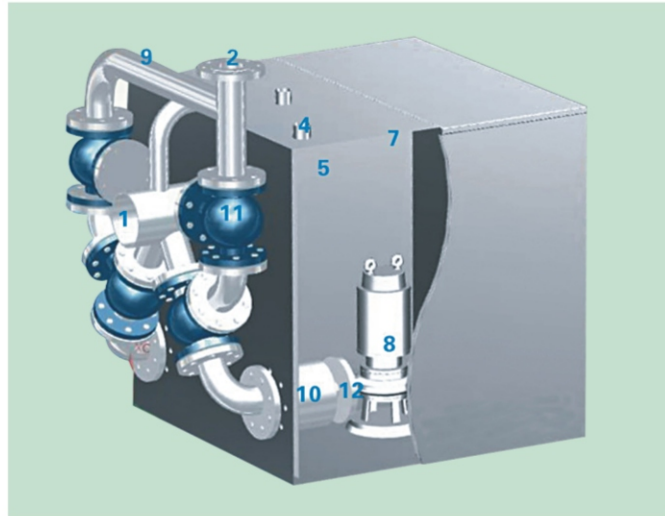
污水提升装置
外置式管道 (自动分离反冲洗)

Wastewater lifting device
External type pipe (automatic separation of backwash)



- | | | |
|---------|--------|-----------|
| 1: 进水口 | 5: 溢流阀 | 9: 电机接线口 |
| 2: 出水口 | 6: 排污阀 | 10: 固液分离器 |
| 3: 液位装置 | 7: 维护门 | 11: 止逆阀 |
| 4: 排气口 | 8: 水泵 | 12: 固态储存器 |

管路外置结构图
External pipeline structure



- | | | |
|-----------------|---------------------|----------------------------|
| 1: water inlet | 5: overflow valve | 9: motor wiring |
| 2: outlet | 6: drain valve | 10: solid liquid separator |
| 3: device Level | 7: maintenance door | 11: check valve |
| 4: vent | 8: water pump | 12: solid state storage |

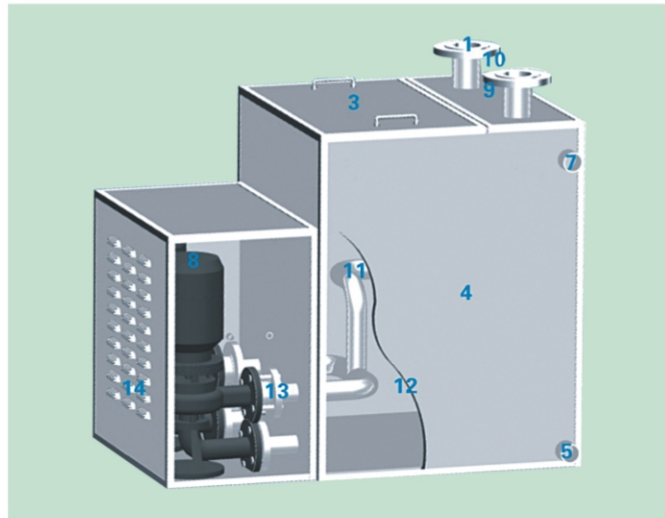
污水提升装置
外置式水泵 (自动分离反冲洗)

Wastewater lifting device
External pump (automatic separation of backwash)



- | | | |
|--------|-----------|-----------|
| 1: 进水口 | 6: 排气板 | 11: 固液分离器 |
| 2: 出水口 | 7: 溢流阀 | 12: 固态储存器 |
| 3: 维修门 | 8: 水泵 | 13: 止逆阀 |
| 4: 提升箱 | 9: 排气孔 | 14: 电机护 |
| 5: 排污阀 | 10: 液位控制器 | |

电机外置结构图
Motor outer structure



- | | | |
|--------------------|-----------------------------|----------------------------|
| 1: water inlet | 6: exhaust plate | 11: solid liquid separator |
| 2: outlet | 7: overflow valve | 12: solid state storage |
| 3: repair the door | 8: water pump | 13: check valve |
| 4: improve box | 9: vent | 14: the motor protector |
| 5: drain valve | 10: liquid level controller | |



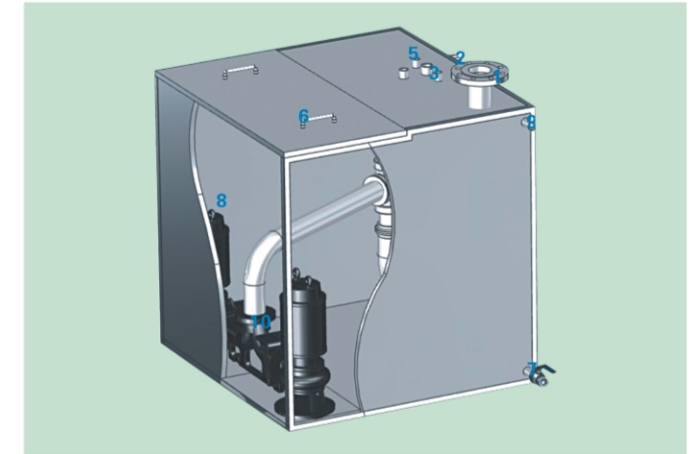
污水提升装置
内置式 (自动分离反冲洗)

Wastewater lifting device
Built-in separation (automatic backwash)



- | | | |
|----------|---------|-----------|
| 1: 出水口 | 5: 电机线口 | 9: 溢流阀 |
| 2: 进水口 | 6: 维修门 | 10: 止逆耦合 |
| 3: 液位控制器 | 7: 排污口 | 11: 固液分离器 |
| 4: 排气口 | 8: 水泵 | 12: 固态储存器 |

内置式结构图
Built-in structure



- | | | |
|---------------------|---------------------|----------------------------|
| 1: outlet | 5: Line motor mouth | 9: overflow valve |
| 2: the water inlet | 6: repair the door | 10: non-return coupling |
| 3: level controller | 7: outlet | 11: solid liquid separator |
| 4: vent | 8: water pump | 12: solid state storage |

污水提升装置(经济型) Wastewater lifting device (budget)

采用PE材质, 设备外形小巧, 占地面积小, 适合别墅小型建筑物或污水量少的场合。

Using PE material, equipment, appearance is compact, cover an area of an area small, Suitable for small villa building or sewage quantity is little.



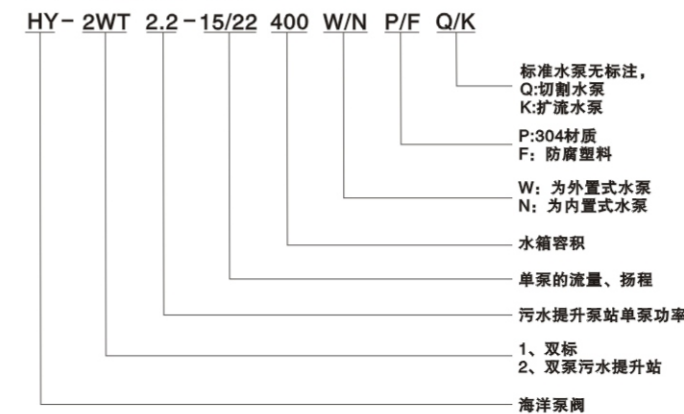
污水提升装置(家庭式) Wastewater lifting device (family)

密闭无异味, 可隐藏在墙内, 可连接挂墙式座便器、洗手盆、淋浴房等。

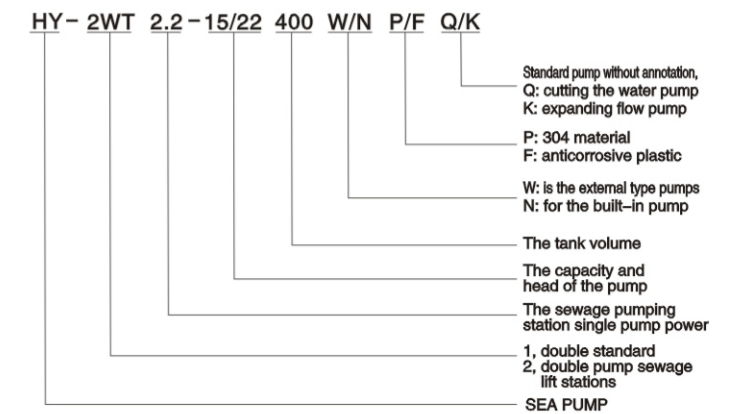
Closed without peculiar smell, can be hidden inside a wall, can be connected to hang a wall Apparatus, sink, shower room, etc.



型号编码示意图



Model coding schemes





海洋泵阀

SEA PUMP & VALVE

HYWT污水提升装置

HYWTwastewater lifting device

排污泵系列 Sewage Pump Series

设备技术参数 Equipment technical parameters

型号 Type	流量Flow M ³ /H	扬程 Head M	主泵功率N The main pump power N	辅泵功率N Auxiliary pump power N	进出口 Import and export	水箱容积升 The tank volume rose
HY2WT-1	3-10	3-8	0.25-0.75	0.25-0.75	DN40	60-100
HY2WT-2	3-10	3-8	0.25-0.75	0.25-0.75	DN50	200-500
HY2WT-5	6-15	6-10	0.37-1.5	0.37-1.5	DN65	500-900
HY2WT-10	7-15	6-12	0.75-2.2	0.75-2.2	DN65	400-1000
HY2WT-20	15-22	6-30	0.75-4	0.75-4	DN80	450-1000
HY2WT-30	22-30	6-30	1.5-4	1.5-4	DN80	550-1500
HY2WT-40	30-50	6-30	1.5-7.5	1.5-7.5	DN80	700-2300
HY2WT-60	50-70	6-30	1.5-7.5	1.5-7.5	DN100	1000-3000
HY2WT-80	70-90	6-30	1.5-22	1.5-18.5	DN100	1500-4000
HY2WT-100	90-120	6-30	4-22	4-22	DN150	2200-5000
HY2WT-120	110-130	6-30	4-22	4-22	DN150	2200-5000
HY2WT-150	130-150	6-30	4-22	4-22	DN150	2200-5000
HY2WT-200	150-200	6-30	4-22	4-22	DN150	3000-5500

污水提升装置规格 Wastewater lifting device specification

序号 The	设备规格 Equipment specification	容量L The capacity of L	水泵功率KW The pump power KW	扬程 Head M	流量Flow M ³ /H	进口 Import	出口 Export
1	400x400x400	60	0.25-0.75	3-8	3-10	DN40-DN65	DN40-DN65
2	400x600x400	100	0.25-0.75	3-8	3-10	DN40-DN65	DN40-DN65
3	500x600x600	180	0.37-1.5	6-10	6-15	DN40-DN65	DN40-DN65
4	600x600x600	220	0.37-1.5	6-10	6-15	DN40-DN80	DN40-DN80
5	600x800x600	280	0.55-1.5	8-15	6-20	DN40-DN80	DN40-DN80
6	600x800x600	360	0.55-2.2	8-15	6-20	DN40-DN80	DN40-DN80
7	600x1000x600	430	0.55-2.2	8-15	6-30	DN40-DN80	DN40-DN80
8	600x1200x600	520	0.75-4	10-18	6-30	DN40-DN80	DN40-DN80
9	800x800x800	700	0.75-4	10-18	15-40	DN50-DN100	DN50-DN100
10	1000x700x1000	1000	0.75-4	10-22	15-40	DN50-DN100	DN50-DN100
11	1000x1000x1000	1440	1.5-7.5	10-30	15-50	DN65-DN125	DN65-DN125
12	1200x1200x1200	1700	1.5-7.5	10-30	20-70	DN65-DN125	DN65-DN125
13	1200x1200x1200	2200	2.2-11	10-35	20-80	DN65-DN125	DN65-DN125
14	1200x1500x1200	3400	2.2-15	10-35	20-100	DN65-DN125	DN65-DN125
15	1200x2400x1200	5400	2.2-15	10-35	20-150	DN80-DN200	DN80-DN200
16	1500x2400x1800	7800	14-22	10-40	20-200	DN80-DN200	DN80-DN200
17	2400x2400x2000	11500	4-30	10-50	20-300	DN80-DN200	DN80-DN200
18	2400x2400x2400	13800	4-37	10-50	20-300	DN80-DN200	DN80-DN200

以上数据仅供参考，定制需要与技术人才沟通。
The above data are for reference only, custom need to communicate with technical personnel.



海洋泵阀

SEA PUMP & VALVE

HYWT污水提升装置

HYWTwastewater lifting device

排污泵系列 Sewage Pump Series

污水提升泵站配件选材 The sewage pumping station accessories material

序号 The	名称 Name	可选材质 Optional material
1	水箱 The water tank	塑料 Plastic, 不锈钢 Stainless steel
2	泵 pump	污水泵 Sewage pump, 管道泵 Pipeline pump, 屏蔽泵 Shielding pump
3	止回阀 The check valve	对夹式止回阀 Wafer check valves, 内丝止回阀 Wire inside the check valve, 304
4	阀门 Valve	丝扣连接 Threaded connection, 法兰连接 Flange connection, 快装连接 Fast connection
5	管道连接方式 Pipe connection way	法兰连接 Flange connection, 丝扣连接 Threaded connection, 快转连接 Turn fast connection
6	耦合 Coupling	单耦合 Single coupling, 不锈钢单偶 Stainless steel single accidentally, 复耦合 The complex coupling
7	液位控制 Level control	浮球 Floating ball, 浮球电极 Float electrode, 液位变送器 Liquid level transmitter

控制柜

污水提升装置配套控制柜，用于检测、控制并保护两台排污泵的运行。系统由三浮球液位开关检测水箱液位，实现高水位起泵、低水位停泵、超高水位增开备用泵的功能。控制系统具备电路、过载保护功能、同时针对相应的泵型还具有电机腔漏水、油室漏水和绕组过热故障报警及保护功能。控制系统具备短路、过流保护功能、同时针对相应的泵型还具备电机腔漏水、油室漏水和绕组过热故障报警及停机功能。

水箱液位的高低由浮球开关采集，水箱液位上升到由第一个浮球开关设定的感应点，此时水泵预启动，当水箱液位继续上升到第二个浮球开关设定的感应点即高水位时，开始启动两台水泵中的一台排水；当水箱液面下降到第一个浮球开关设定的感应点以下即低水位时，启动水泵停止工作；当水箱的积水量超过单泵排水能力，此时表现为单泵启动运行后，仍不能将水箱液位降至第二个浮球感应点之下，并且水箱液位持续上升，直至达到第三个浮球开关设定的感应点即超高水位时增开另一台泵，此时两台泵同时启动工作，待水位下降到第一个浮球感应点以下的时候两台水泵均停止工作，至此一个工作循环结束。在正常工作时，若积水量不足以达到需要同时开两台泵，则两台泵会依次自动交替运行，故障时可以实现自动切换。

控制柜具有手动、自动工作模式，具有浮球自动控泵、两泵自动轮换、故障自动切换、故障自动停机等功能。

Control cabinet

Wastewater lifting device matching control cabinet, used to detect, control and protect the operation of the two sewage pump. System consists of three ball float liquid level switch to detect water level, achieve high water pump, low water stop pump, high water level increase the standby pump function. Control system for circuit protection, overload protection function, at the same time for the corresponding cavity leakage, oil pump type also has a motor chamber heat leakage and winding fault alarm and protection function. Control system with short circuit, over protection function, at the same time for the corresponding type pump cavity has electricity leakage, oil chamber heat leakage and winding fault alarm and stop function.

The tank liquid level height by the float switch collection, water level rise to by the first set of float switch induction point of pump at this time, the start, when the water level continues to rise to the second ball float switch setting point of induction is high water level, started the two pumps of a drainage; When the tank liquid level drops to below the first set of float switch induction, start the pump stop work when the low water level; When the tank water more than the product of a single pump drainage ability and the performance for a single pump is up and running after, still cannot will water level to the second float ball should be below, and the water level continues to rise, until you reach the third set of float switch sensing dots ultrahigh water level to start another pump, the two pump start work at the same time, should stay level down to the first float ball point below the both pumps stop working, at this point a work cycle is over. In normal work, if the product quantity is not enough to achieve needs at the same time open two pumps, two pumps will, in turn, automatic operation, failure can realize automatic switching alternately.

Control cabinet with manual and automatic working mode, with a floating ball automatic pumps, two pumps automatic rotation, fault automatic switch, automatic stop etc Function.



落地式 floor



挂壁式 wall-mountable

集成控制器 Integrated controller